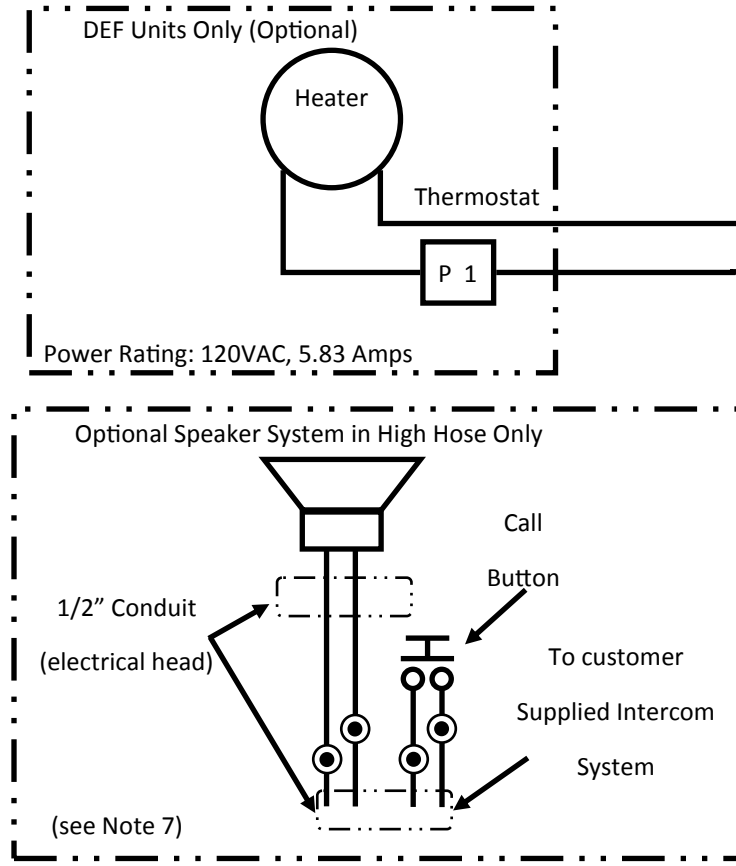


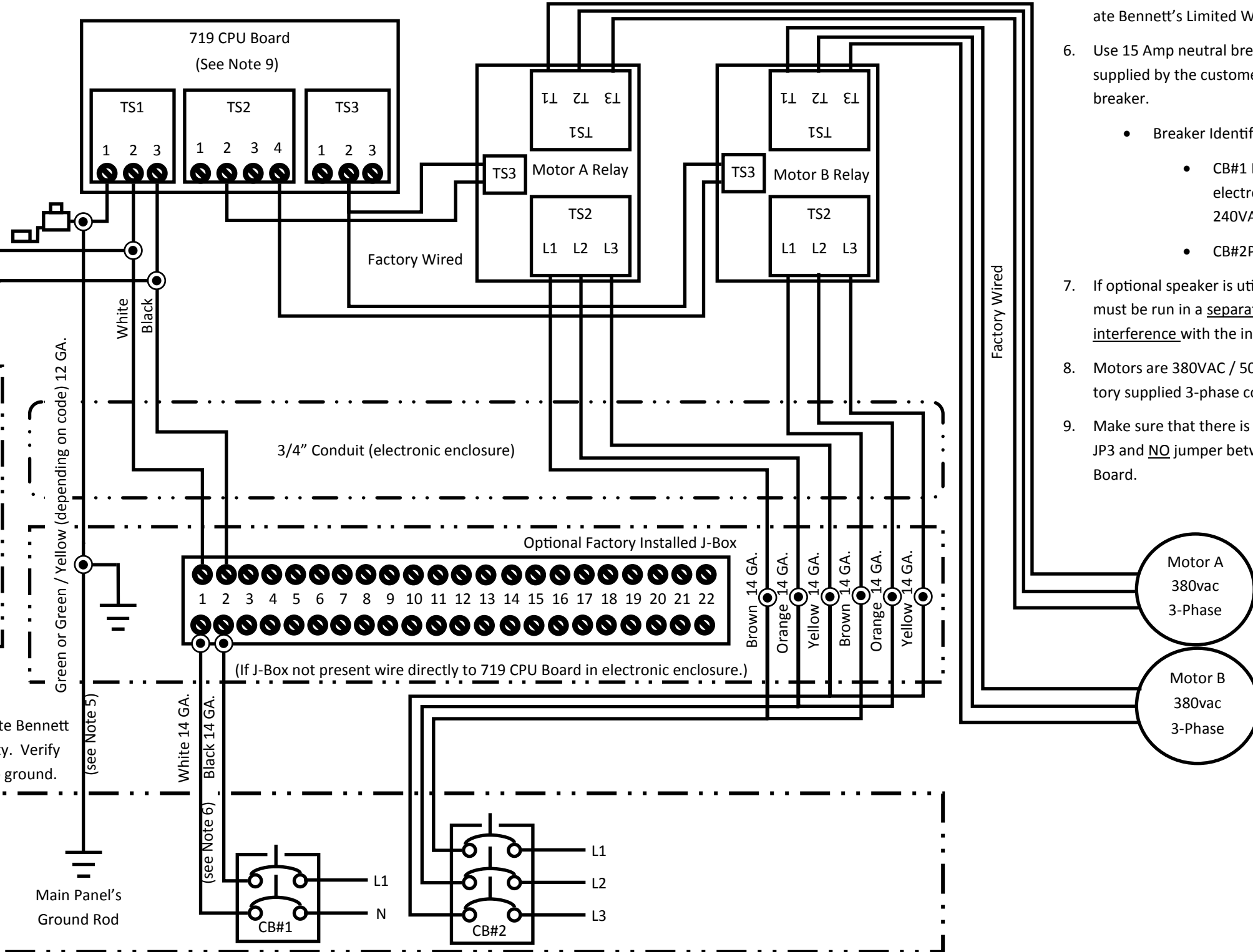
Wiring Diagram: AC Power and 3-Phase Motor Connections for Suction 3000 Electronic, Truck and 700,800,900 (DEF) Pumps.

ELECTRICAL RATINGS	
Electronic Power (Idle).....	60VA, 120VAC/240VAC
Electronic Power (Flow).....	140VA, 120VAC/240VAC
Main Control Valve.....	20VA, 24VDC
Standard Flow Motor	1 H.P., 380VAC
Truck Pump Motor	2 H.P., 380VAC
Pump Handle Switch.....	Intrinsically Safe

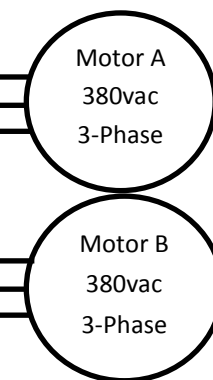


Notes For Suction Power and 3-Phase Motor Wiring Diagram:

1. Field connection = (Used only with optional J-Box)
2. All wiring must be installed and used in accordance with the national electrical code (NFPA #70, Automotive and marine service code NFPA #30A), State and Local electrical codes.
3. All wiring gauge is minimum required, stranded wire with THHN Insulation must be used. Do NOT reuse old wire from an existing installation.
4. Use only rigid metal conduit. Do not use PVC conduit.
5. Pull a continuous (one piece) green, 12 gauge, stranded, THHN, ground wire through the junction box and 3/4" conduit and secure at ground lug near the terminal strip in the dispenser's Junction Box. Terminate the other end at the main panel breaker box ground bar. Do not terminate at the neutral bar of a sub-panel or rely on metal conduit for this ground connection. Each dispenser's grounding post must be within 1 ohm resistance to earth ground potential. You must verify to within 1 ohm of the ground rod. Do not use wire nuts on ground circuits, use only compression type connectors. This is required to initiate Bennett's Limited Warranty.



6. Use 15 Amp neutral breaking circuit breaker which is supplied by the customer. No more than 2 pumps per breaker.
 - Breaker Identification:
 - CB#1 Electronic Power—Hot for electronic power is 120 VAC or 240VAC (Single Phase).
 - CB#2 Pump Motor
7. If optional speaker is utilized, speaker/intercom wire must be run in a separate conduit to avoid electrical interference with the intercom system.
8. Motors are 380VAC / 50hz. Note connections on factory supplied 3-phase contactor (relay).
9. Make sure that there is NO jumper between JP1 and JP3 and NO jumper between JP2 and JP4 on the CPU Board.



Required to initiate Bennett Limited Warranty. Verify within 1 ohm to ground. (see Note 5)

(If J-Box not present wire directly to 719 CPU Board in electronic enclosure.) (see Note 6)

Bennett Pump Company
 Toll Free: 800-235-7618
 Telephone: 231-798-1310
 www.bennettpump.com
 Instr.# 135049
 Rev Level: A
 Date: 6-20-17