

Footprint for: 3700, 3800, 3900 Models | High Hose and Low Hose | Suction | Standard Flow Rates

CAUTION: Dispensers must be installed with provisions for expansion relief, which will relieve at pressures not to exceed 50 psi (345 mPa).

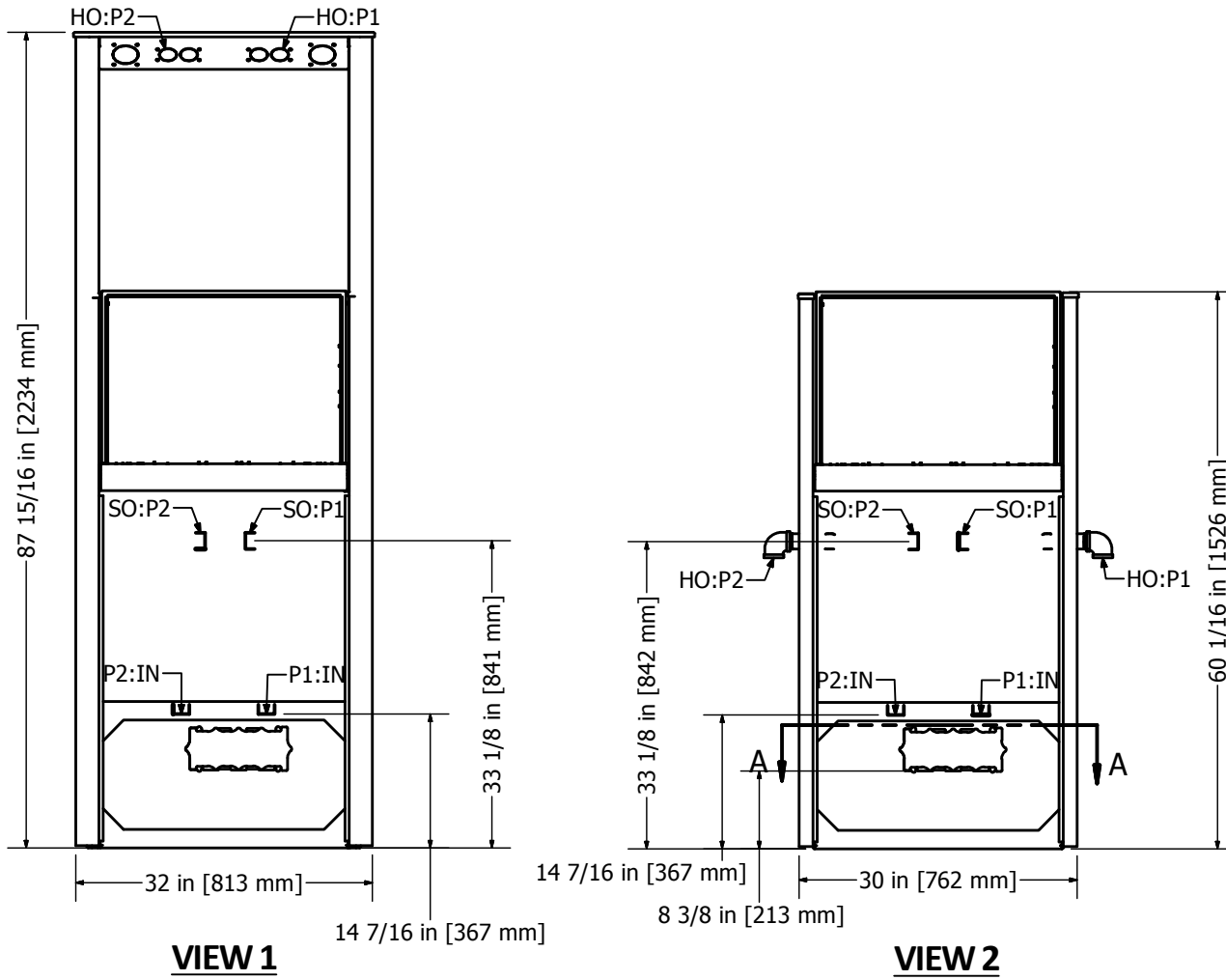
Do not use line check valve between dispenser and tank unless provided with relief valve.

INSTALLATION NOTES:

- Recommended inlet piping shall be minimum Schedule 40 steel pipe with UL Listed union installed prior to installation into the dispenser inlet. All joints to be made using the appropriate pipe joint sealing compound classified for the type of fuel used.
- Installation must be in accordance with National Electric Code (NFPA 70), the Automotive and Marine Service Code (NFPA 30A) and all State and Local Codes.
- Use only Underwriters Listed threaded rigid metal conduit and listed sealing fittings for conductor seals.
- Field connections are done in upper electrical enclosure. Wire must extend 72" above base of dispenser to make electrical connections (24" if optional junction box installed).
- Use 1/2" or larger bolts to secure unit to island. High Hose unit must be secured with a minimum of 4 bolts through the base frame. Low Hose units must be secured with a minimum of 2 bolts through the base frame.
- Shims(metal **only**) should only be used under bolts to ensure dispenser is level. Improper shimming that results in misaligned frame is **NOT** covered under the Bennett Limited Warranty.

BENNETT PUMP COMPANY

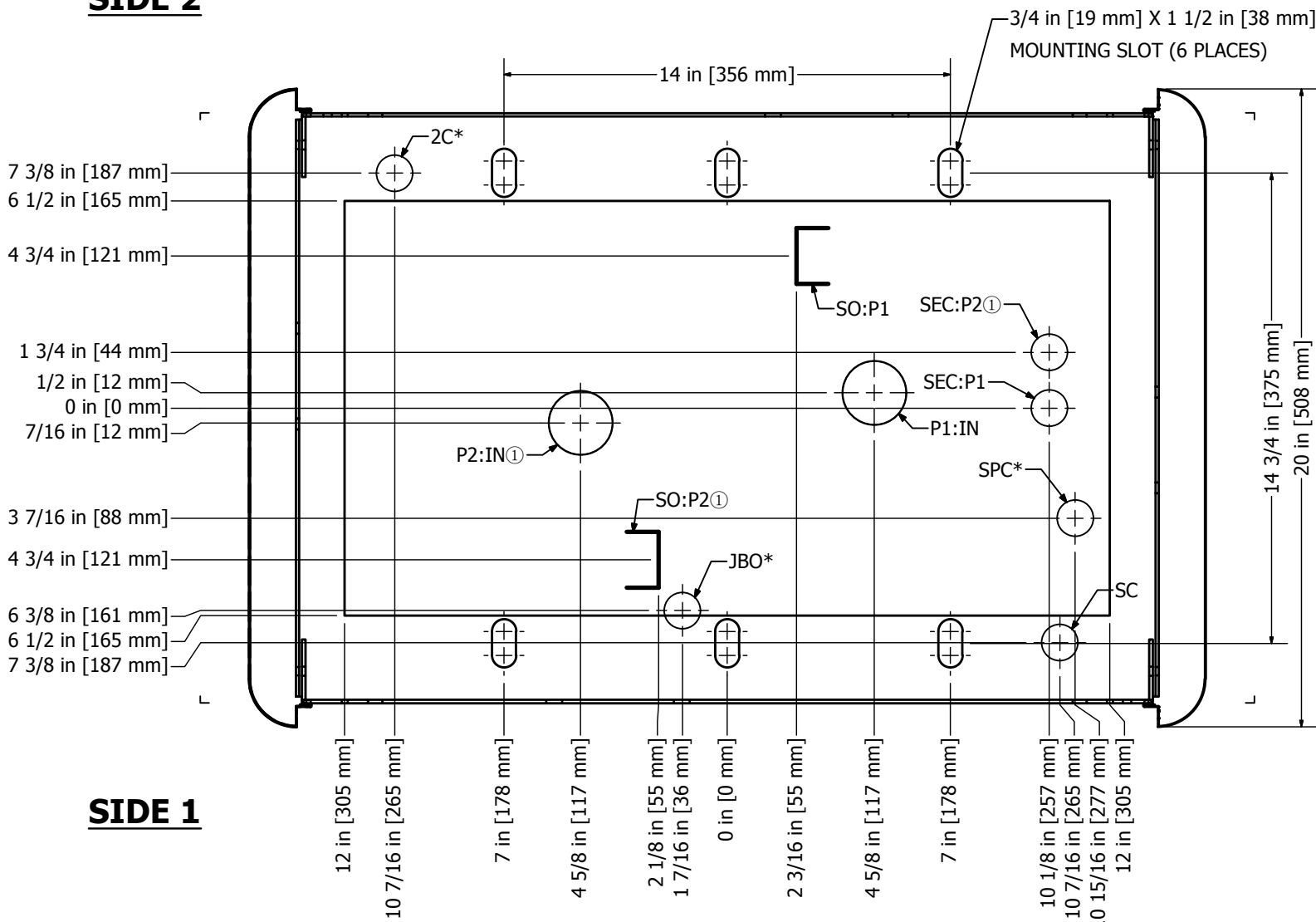
1218 E. Pontaluna Road
 Spring Lake, MI. 49456
 Toll Free: 800-235-7618
 Telephone: 231-798-1310
 Fax: 231-799-6202
 www.bennettpump.com
 Part Number: 137779
 Drawing Number: P5546
 Rev Level: A
 Date: 05/29/18



NOTES:

- Subject to change without notice
- Some options not available on all models
- Pump inside pit box opening is 13" X 24"
- Product inlets are female 1-1/2" NPT
- Satellite outlets are female 1" NPT
- Satellite Electrical conduit is 1/2" NPT
- Standard and optional second wiring conduit are 3/4" NPT
- Optional Speaker Conduit is 1/2" NPT
- Hose Outlets are 1" NPT
- Speaker conduit is shown at flame deck level. Route conduit around motor

SIDE 2



SIDE 1

SECTION A-A From VIEW 2

LEGEND

- P1: Product 1
- P2: Product 2
- S1: Side 1
- S2: Side 2
- IN: Inlet
- HO: Hose Outlet
- SO: Satellite Outlet
- JBO: J-Box Outlet
- SC: Standard Conduit
- 2C: Second Conduit
- SEC: Satellite Conduit
- SPC: Speaker Conduit
- * Designates Optional Feature
- ① Not present on 1 product models

Recommended Sumps

- OPW:
- DS-1123B
- Franklin Fueling
- LM(M/D)-2313-T
 - LM(X)-2313-T