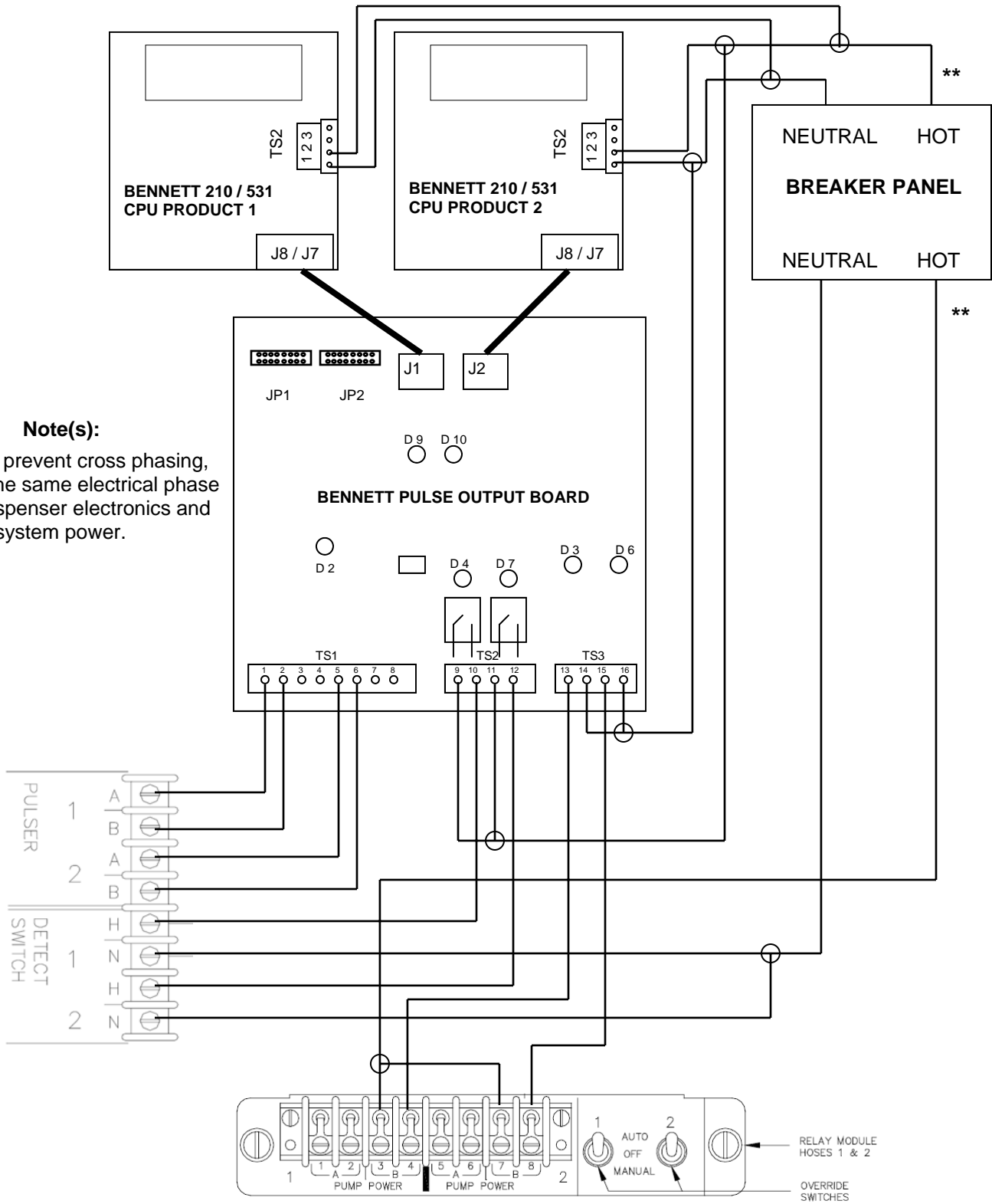


Bennett Pulse Output to Gasboy 1000 Series FMS



Note(s):

** To prevent cross phasing, use the same electrical phase for dispenser electronics and card system power.

Gasboy 1000

IMPORTANT NOTE: This drawing provides typical wiring installation for a dual hose unit. Duplicate wiring for multi-hose installations. For additional wiring and setup procedure refer to the dispenser installation manual. Follow all Gasboy 1000 Series documentation for correct installation and operation instructions.

Setting the Jumpers on the Pulse Output Board

The Pulse Output board is ordered as an option with the Electronic 3000 Series. This board is where the field wires connect the 3rd party Fleet System to the Pulse Output functions of the dispenser. This board also has jumpers that need to be set to determine the Pulse Rate and the Pulse Width. Whatever pulse rate is set will send the same pulse rate and width to both the Fleet System and the Tank Gauge (if one is connected). This section describes how to set these jumpers. Refer to the Figures below:

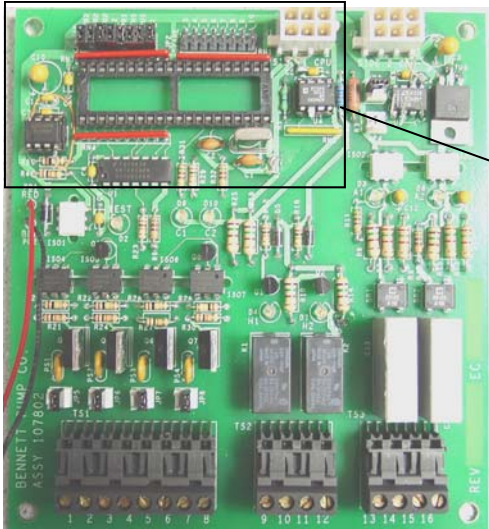


Figure 38 - Pulse Output Board

This is the Pulse Output Board. It has the terminal strips for the field wire connections along the bottom of the board to communicate with the Fleet System using a pump handle output signal, an authorize input signal and a pulse train signal. The Jumper Header JP1 is at the top left of the board. These jumpers must be set to determine the pulse **rate** and the pulse **width**. See information below.

JP1-1,2,3,4,and 5 are used to set the pulse rate and pulse width.

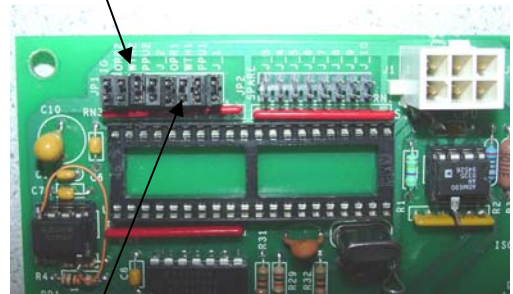


Figure 39 - Pulse Output Board Jumpers

The top left of the Pulse Output board has a jumper header called JP1. It has 8 jumper positions. Set the Pulse Rate with the first two jumpers and the Pulse Width with the 3rd, 4th and 5th. See information below.

To set the **Pulse Rate Output**, set jumpers JP1-1 and JP1-2 as follows:

JP1-1	JP1-2	Pulses Per Gallon	Pulses per Liter
OUT	OUT	1000	100
IN	OUT	100	10
OUT	IN	10	1
IN	IN	1	1/10TH

To set **Pulse Width**, set jumpers JP1-3, JP1-4, JP1-5 as follows (PULSE WIDTH'S ARE IN MILISECONDS):

JP1-3	JP1-4	JP1-5	Pulse Width	Pulses Per Minute
OUT	OUT	OUT	.5 ms	60000
IN	OUT	OUT	1 ms	30000
OUT	IN	OUT	2 ms	15000
IN	IN	OUT	4 ms	7500
OUT	OUT	IN	8 ms	3750
IN	OUT	IN	16 ms	1875
OUT	IN	IN	32 ms	9378
IN	IN	IN	64 ms	467