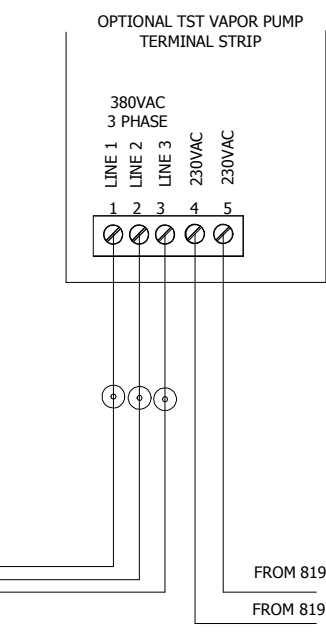
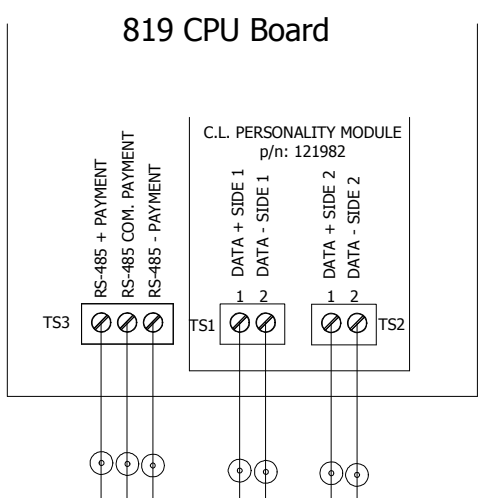
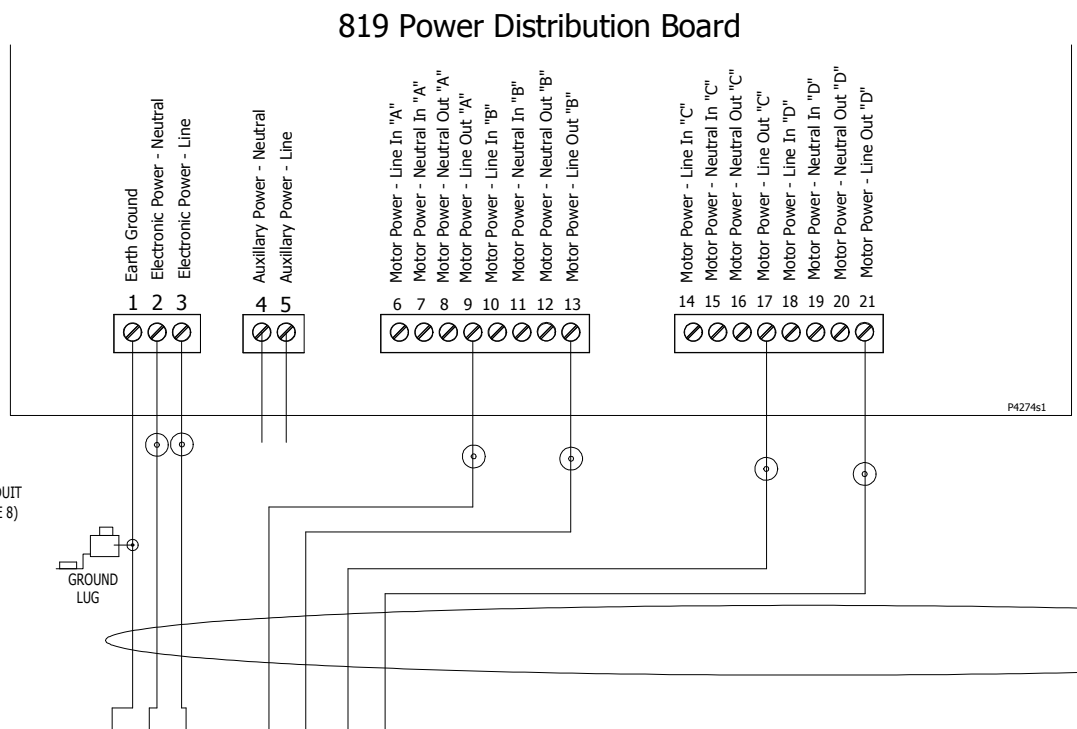
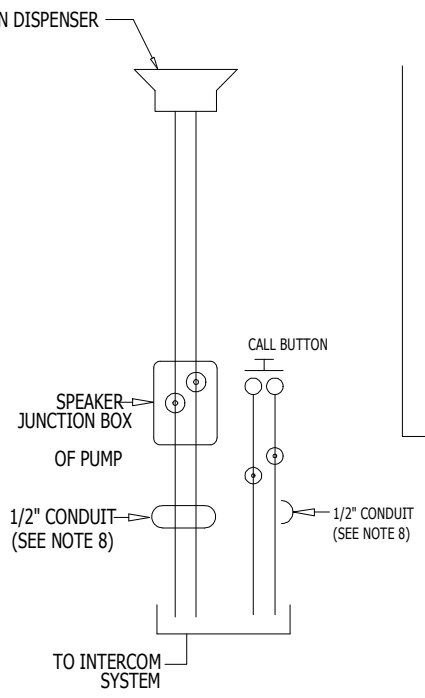
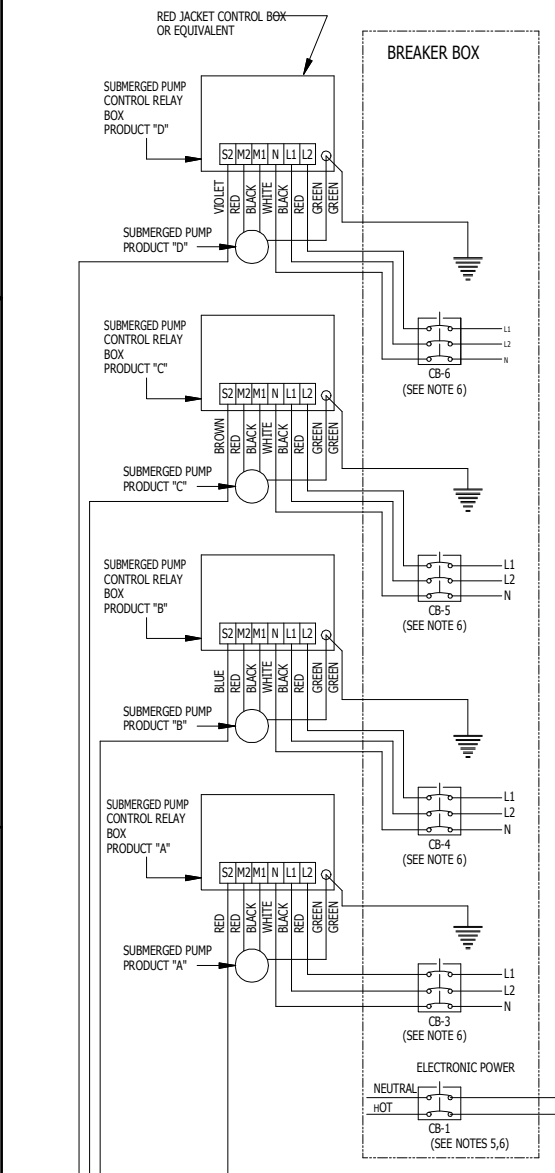


**WIRING AND INSTALLATION WITH REMOTE HYDRAULICS 819 CPU - CURRENT LOOP**

**ELECTRICAL RATINGS**

ELECTRONIC POWER:	350 WATTS 120v/240v 50/60hz
SUBMERGED PUMP CONTROL RELAY:	30 WATTS MAX 120/240 VAC
AUXILLARY POWER:	3 AMPS MAX



OPTIONAL FACTORY INSTALLED J-BOX



RED 14 GA  
BLUE 14 GA  
BROWN 14 GA  
VIOLET 14 GA

VIOLET 18 GA  
GRAY 18 GA  
BLUE 18 GA

YELLOW 18 GA  
ORANGE 18 GA  
YELLOW 18 GA  
ORANGE 18 GA

NOTE 7

USE WITH PAYMENT SYSTEM

FROM OTHER DISPENSERS

FROM 819 POWER BOARD PIN 3  
FROM 819 POWER BOARD PIN 2

L3  
L2 380VAC 3 PHASE  
L1

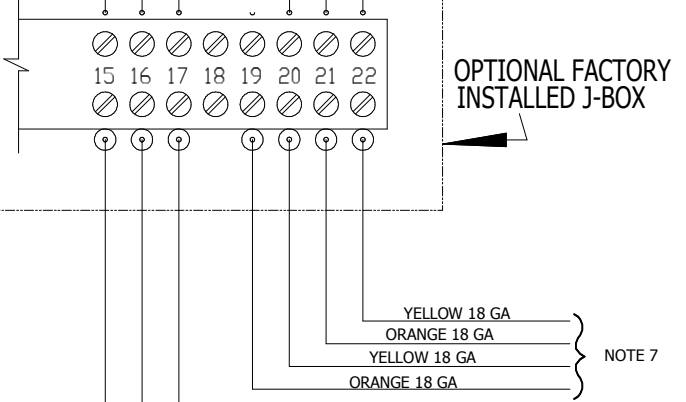
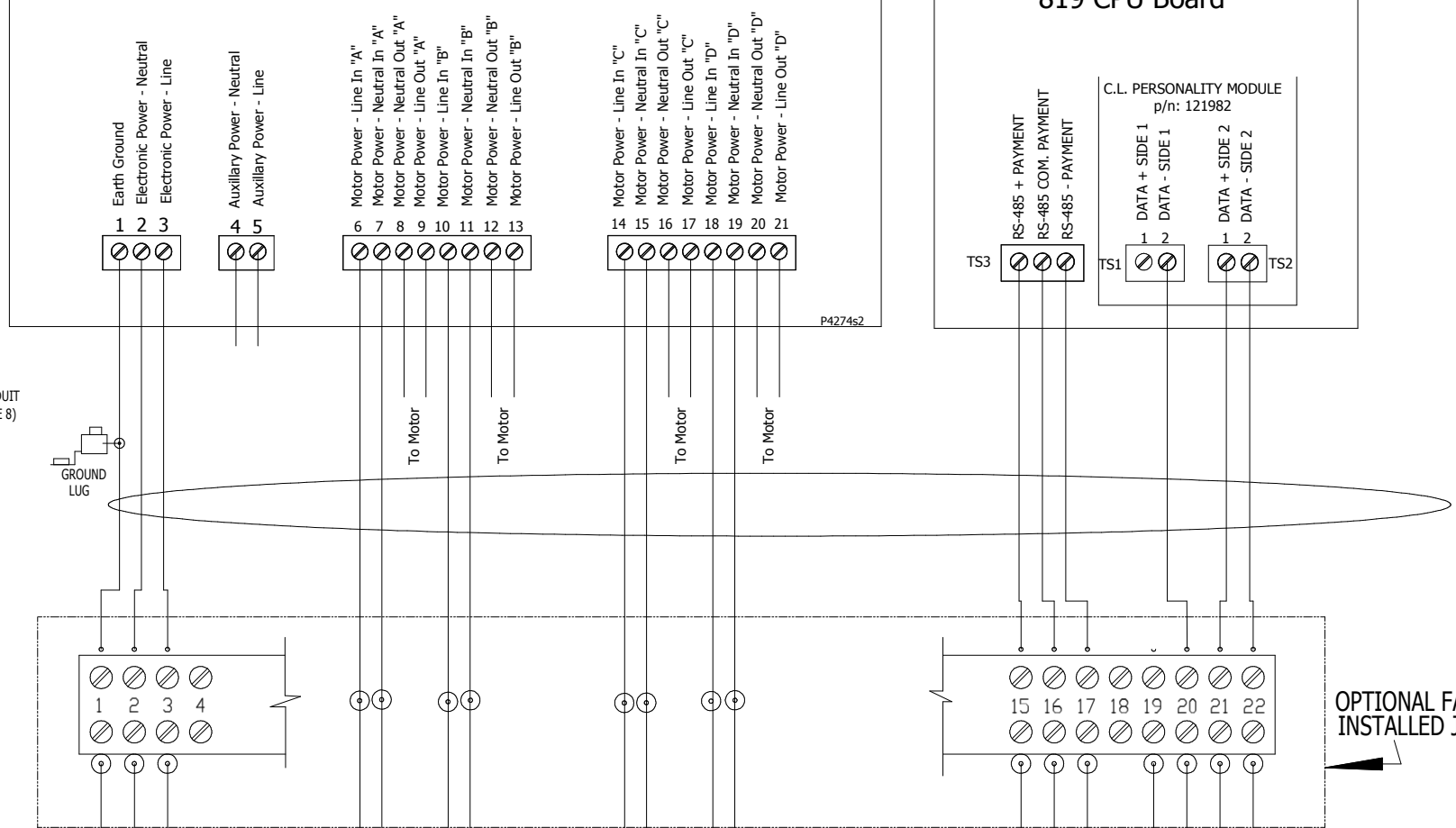
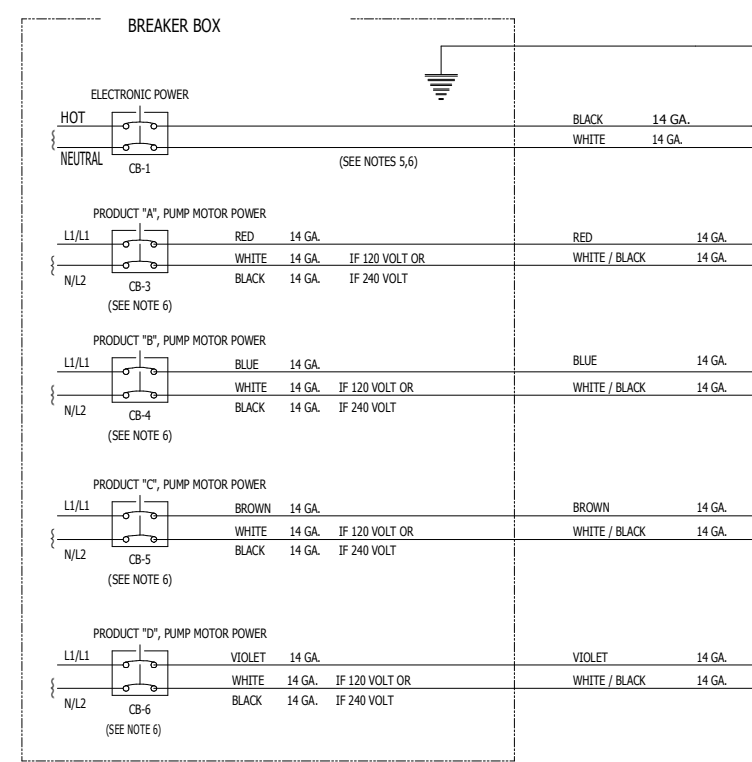
**WIRING AND INSTALLATION WITH SELF CONTAINED PUMPS**  
**819 CPU - CURRENT LOOP**

**819 Power Distribution Board**

**819 CPU Board**

**ELECTRICAL RATINGS**

ELECTRONIC POWER:	350 WATTS 120v/240v 50/60hz
MOTOR RELAYS:	1 HP 120/240 VAC
MOTOR:	1 HP 120/240 VAC 50/60hz 1 Phase OR 1 HP 380 VAC 50hz 3 Phase
AUXILLARY POWER:	3 AMPS MAX



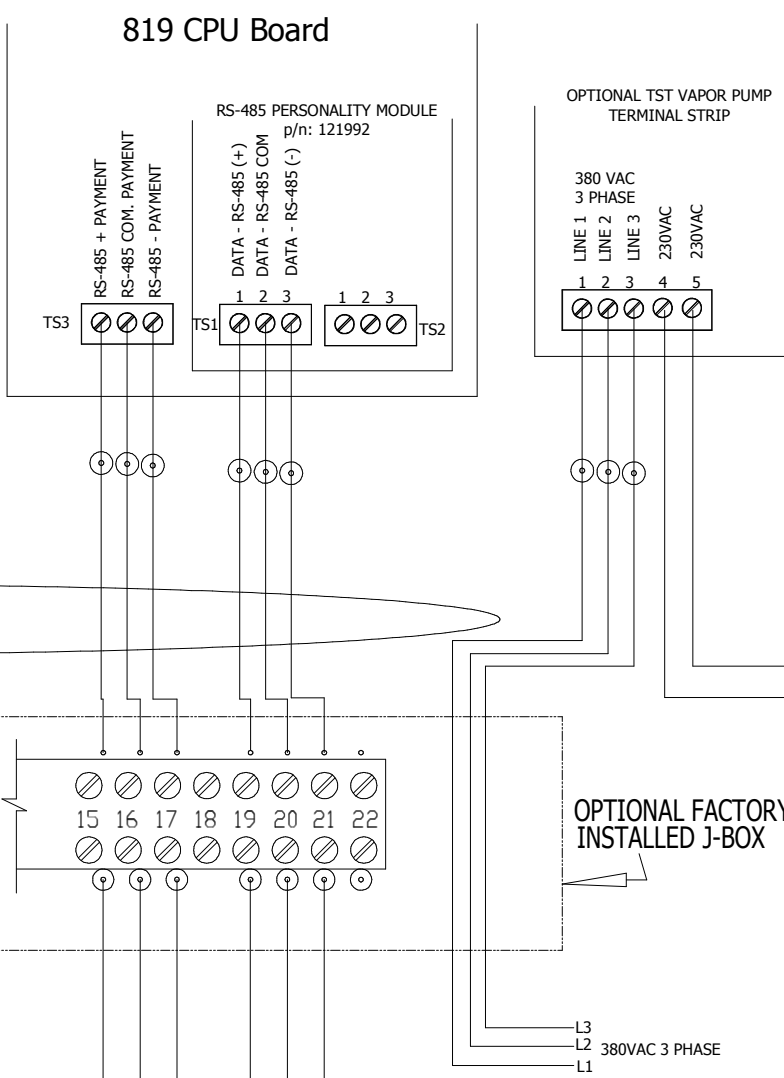
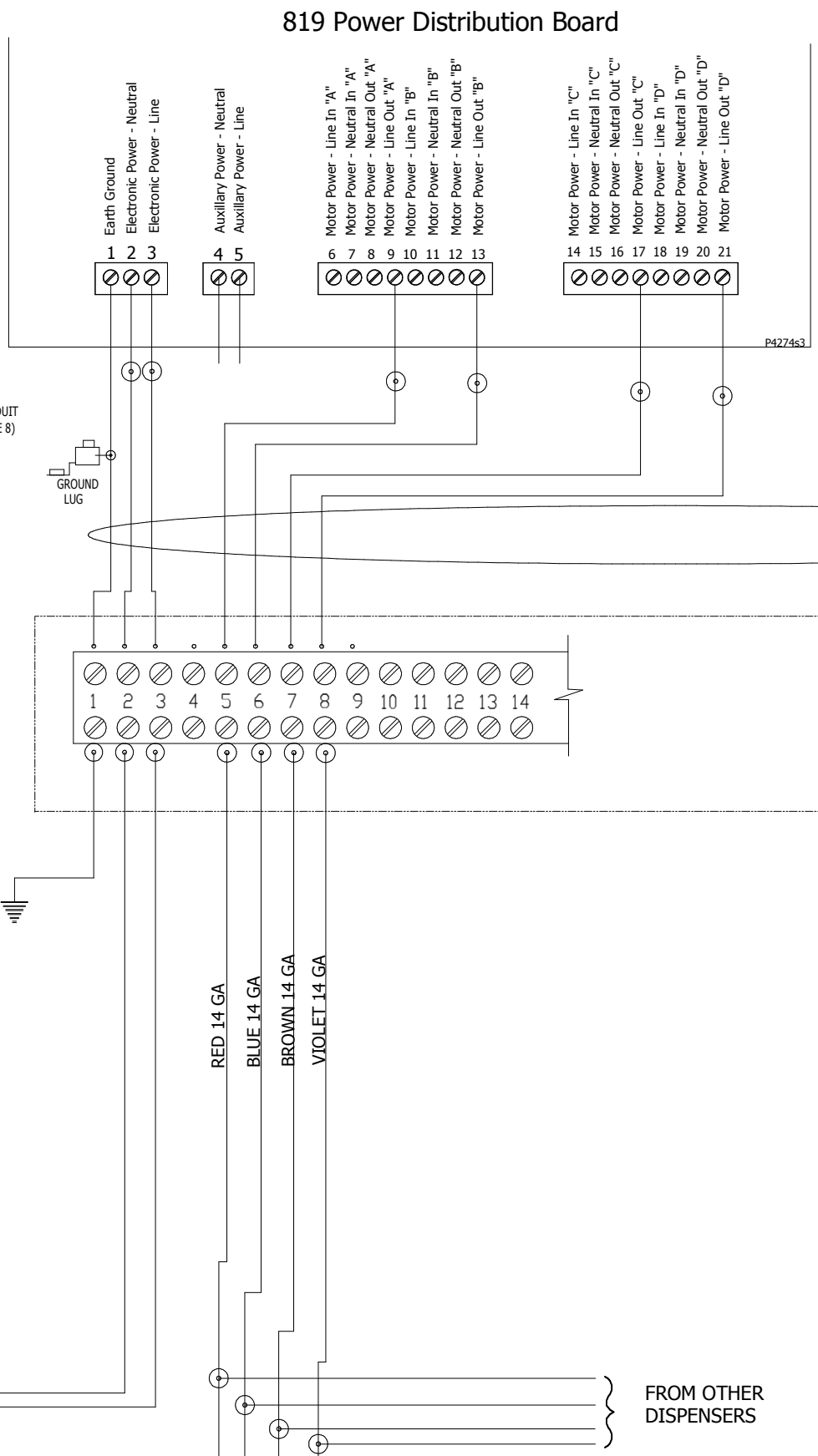
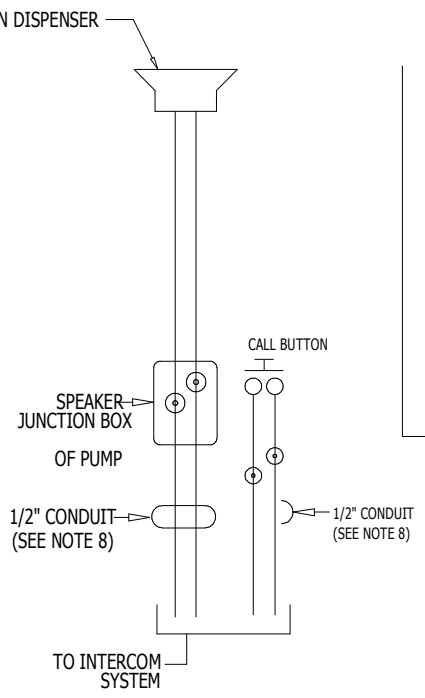
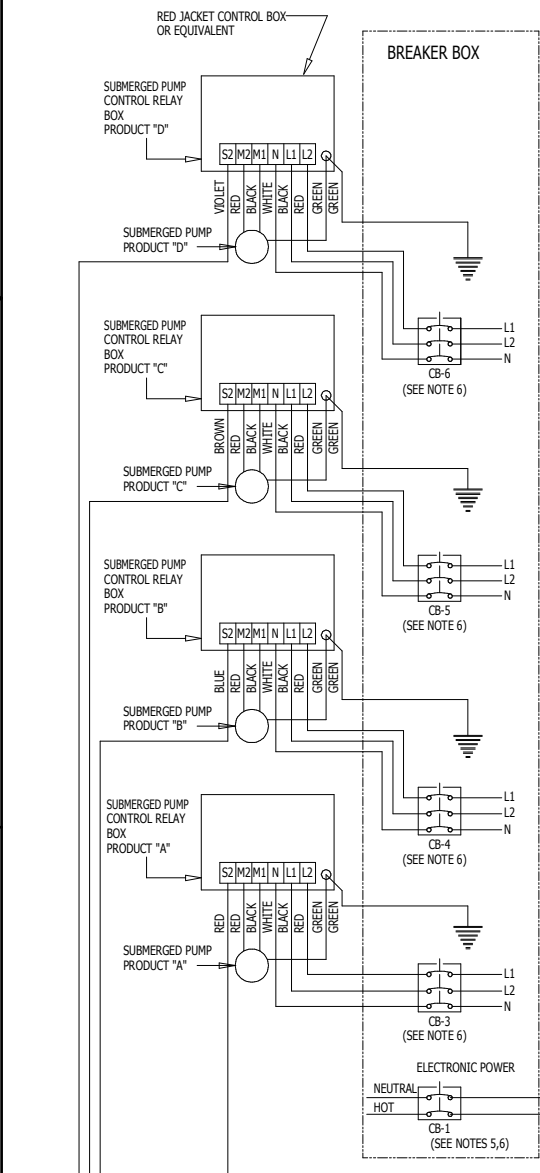
USE WITH PAYMENT SYSTEM

制图 DRWN: S BAR	日期 DATE: 10/6/14	名称 TITLE: 619/819 WIRE DIAGRAM
批准 APP: [Signature]	日期 DATE: [Blank]	SELF CONTAINED HYDRAULICS CURRENT LOOP
C SAL 5/24/16 21026	材料 MATL: N/A	
B SMB 4/25/16 20998	比例 SCALE: NTS	
A SMB 2/26/15 20583		
更改更改人 日期 更改号	图号 DRAWING NUMBER: P4274s2	
REV BY DATE ECN NO.		

# WIRING AND INSTALLATION WITH REMOTE HYDRAULICS

## 819 CPU - RS-485 COMM

ELECTRICAL RATINGS	
ELECTRONIC POWER:	350 WATTS 120v/240v 50/60hz
SUBMERGED PUMP	
CONTROL RELAY:	30 WATTS MAX 120/240 VAC
AUXILLARY POWER:	3 Amps MAX



USE WITH PAYMENT SYSTEM

FROM OTHER DISPENSERS

REV	BY	DATE	ECN NO.	图号 DRAWING NUMBER	图幅 SIZE	制图 DRWN: S BAR	日期 DATE: 10/6/14	名称 TITLE: 619/819 WIRE DIAGRAM
A	SMB	2/26/15	20583	P4274s3	D	批准 APP:	日期 DATE:	REMOTE HYDRAULICS RS-485
						材料 MAT'L:	BENNETT PUMP CO.	
						SPRING LAKE MI, 49456		

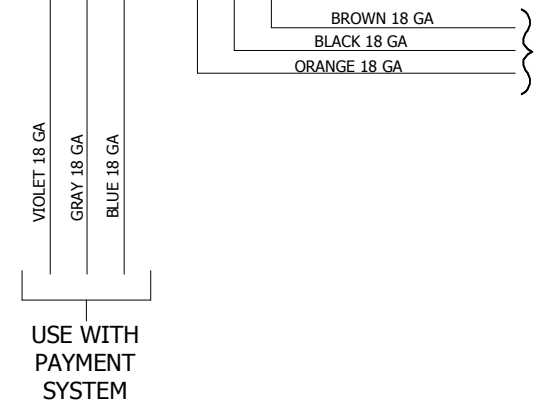
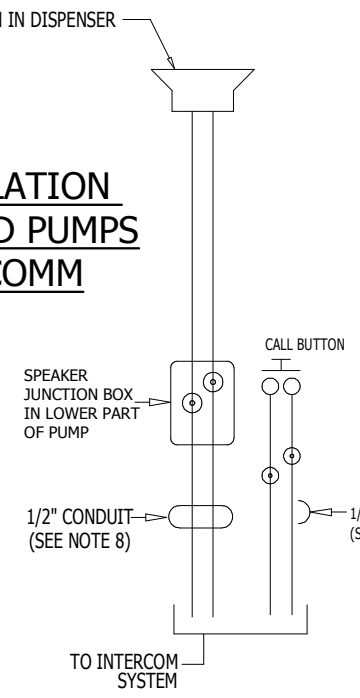
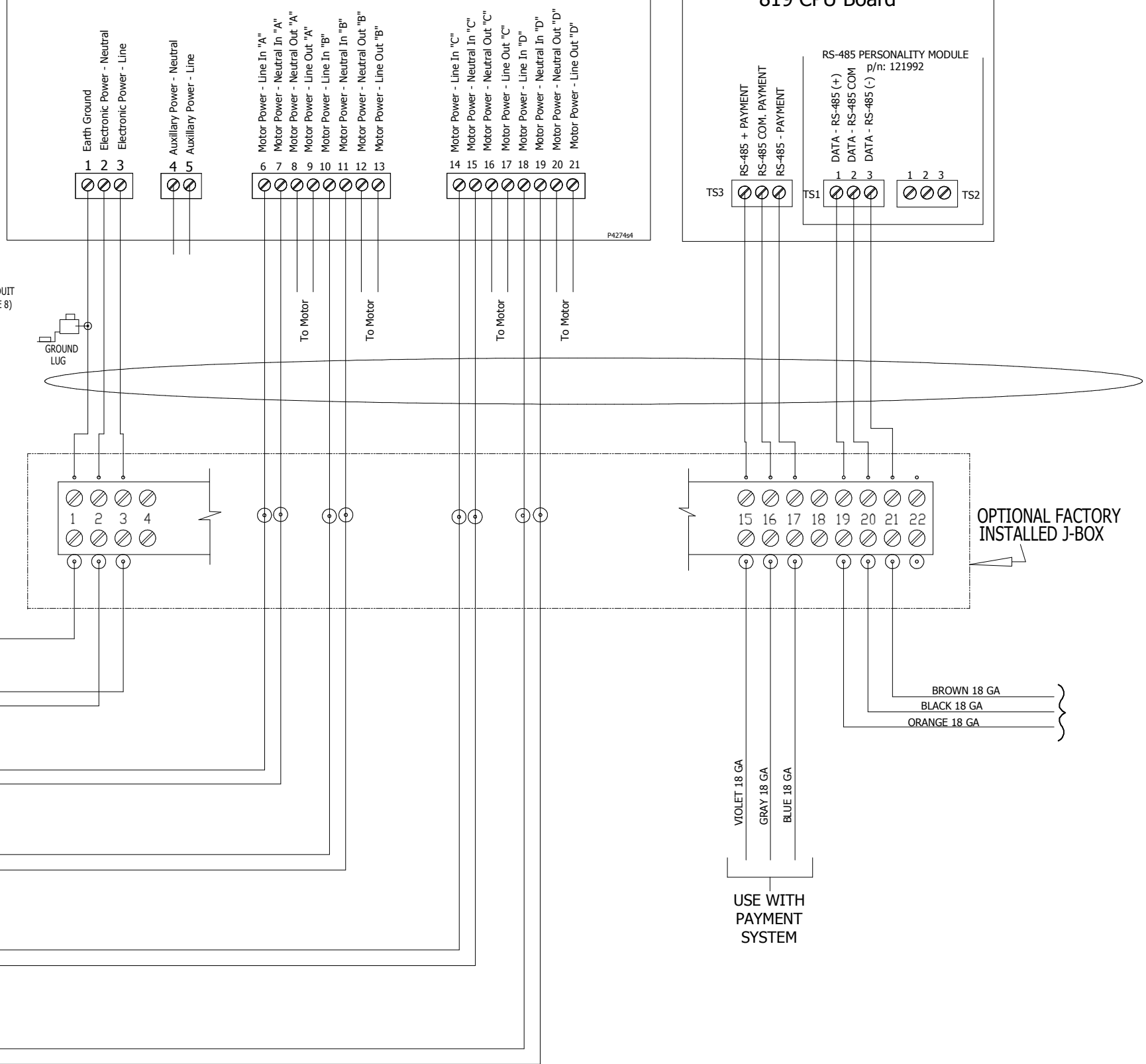
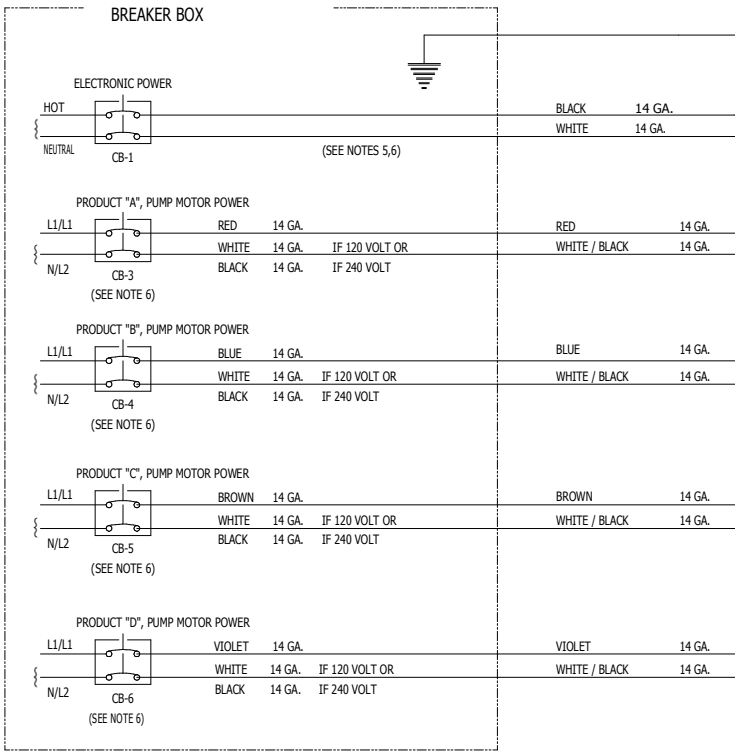
**WIRING AND INSTALLATION  
WITH SELF CONTAINED PUMPS  
819 CPU - RS-485 COMM**

**819 Power Distribution Board**

**819 CPU Board**

**ELECTRICAL RATINGS**

ELECTRONIC POWER:	350 WATTS 120v/240v 50/60hz
MOTOR RELAYS:	1 HP 120/240 VAC
MOTOR:	1 HP 120/240 VAC 50/60hz 1 Phase OR 1 HP 380 VAC 50hz 3 Phase
AUXILLARY POWER:	3 AMPS MAX



制图 DRWN: S BAR	日期 DATE: 10/6/14	名称 TITLE: 619/819 WIRE DIAGRAM
C SAL 5/24/16 21026	批准 APP:	SELF CONTAINED HYDRAULICS RS-485
B SMB 4/25/16 20998	日期 DATE:	材料 MAT'L:
A SMB 2/26/15 20583	更改人	N/A
REV BY	日期	更改号
图号 DRAWING NUMBER: P4274s4	图幅 SIZE: D	比例 SCALE: NTS

**BENNETT PUMP CO.**  
SPRING LAKE MI, 49456

Notes For Wiring Diagram:

- All wiring must be installed and used in accordance with the national electrical code (NFPA #70, Automotive and marine service code NFPA #30A), state and local electrical codes.
- All wiring gauge is minimum required, stranded wire with THHN insulation must be used. Do NOT reuse old wire from and existing installation.
- Do not use PVC conduit. Use only Rigid metal conduit.
- Pull a green 12 GA. stranded THHN ground wire through the junction box and wiring trough and secure at grounding post near the terminal strip in the dispensers electrical enclosure. Terminate the other end at the main electrical service panel ground bar. Do not terminate at the neutral bar of a sub-panel or rely on metal conduit for this ground connection. Each dispenser's grounding post must be within 1 ohm resistance to earth ground potential. Do not use wire nuts on ground circuits, use only compression type connectors.
- Electronics power must be a dedicated circuit. The dispenser is factory wired to accept A.C. voltages ranging from 100 to 250 volts AC for its operation. Electronic power for all dispensers at the installation must be wired to the same AC line phase or damage will result to the dispensers. This will avoid a cross phase condition on the remote relay control wires.
- Use 15 Amp neutral breaking circuit breakers which are supplied by the customer.

Breaker Identification:

- CB#1 Electronic Power- Hot for electronic power is 115V AC except for export codes which are 230 VAC
- CB#3 Submerged or Suction pump motor product A
- CB#4 Submerged or Suction pump motor product B
- CB#5 Submerged or Suction pump motor product C
- CB#6 Submerged or Suction pump motor product D

NOTE: No more than 2 dispensers per breaker. Only 1 submerged pump per breaker.

- Absolutely no daisy chaining of communication data wires orange and yellow 18AWG. Damage to the control console may result.
- If optional speaker is utilized, speaker/ intercom wires should be run in a separate conduit to avoid interference noise with intercom system.

\*For Remote Hydraulics: The submerged pump relay signal is rated at 30 watts, 120 or 240 Volts AC Maximum. This signal must be wired to an external relay (on the same voltage phase as the other submerged pump control relays) for controlling the submerged pump motors.

\*For Self Contained Hydraulics: Motors are dual voltage (115 VAC or 230 VAC) and are factory set. Check motor switch on each motor to be sure it is set according to the voltage supplied.

制图 DRWN: S BAR	日期 DATE: 2/17/15	名称 TITLE: WIRING DIAGRAM NOTES
批准 APP:	日期 DATE:	
材料 SPEC NO:	材料 MAT'L:	
N/A		
比例 SCALE:		
NTS		
<b>BENNETT PUMP CO.</b>		
SPRING LAKE MI, 49456		