

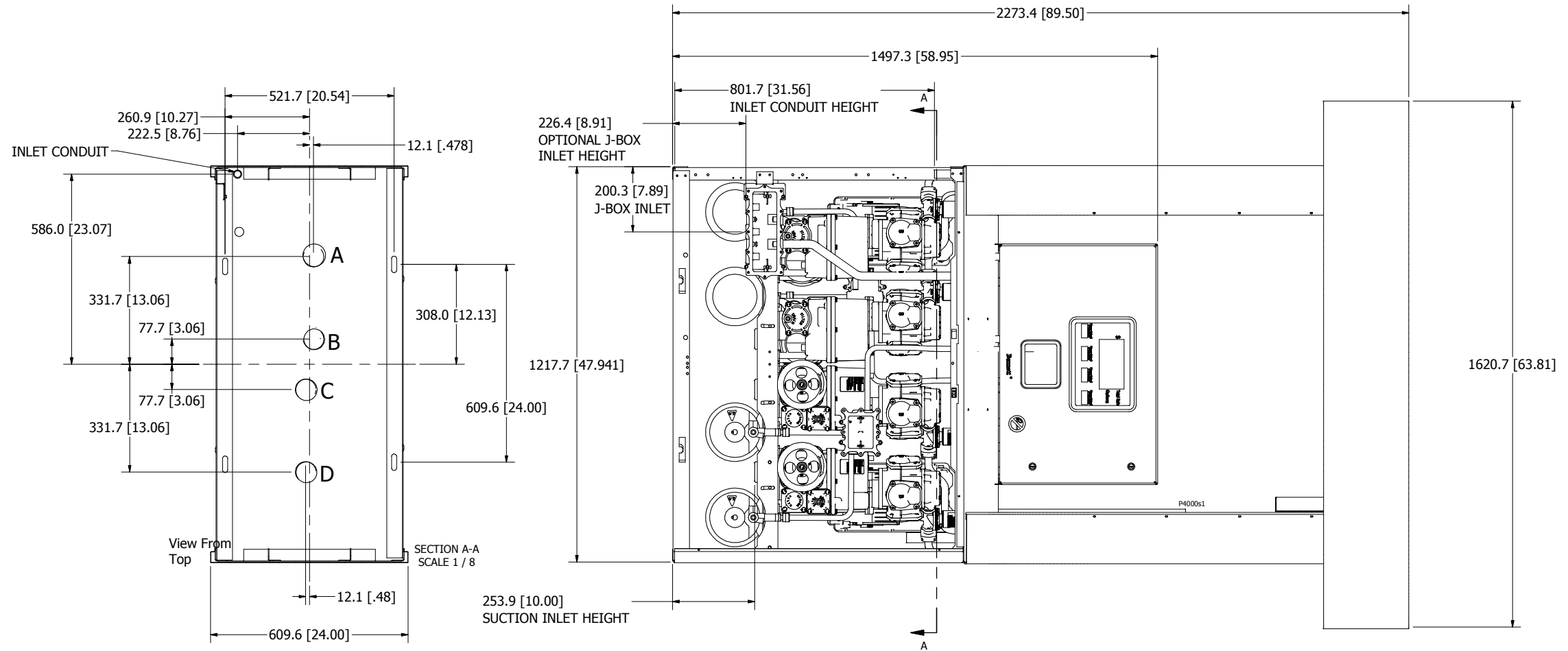
CAUTION: DISPENSERS MUST BE INSTALLED WITH A SUITABLE POWER OPERATED PUMP INCORPORATING A PROVISION FOR EXPANSION RELIEF WHICH WILL RELIEVE AT PRESSURES NOT TO EXCEED 50 LBS PER SQ. INCH. DO NOT USE LINE CHECK VALVE BETWEEN DISPENSER AND OPERATED PUMP UNLESS PROVIDED WITH RELIEF VALVE.

ALL THREADED PIPE JOINTS OF LIQUID HANDLING PIPING MUST BE ASSEMBLED WITH UNDERWRITERS' LISTED GASOLINE RESISTANT PIPE JOINT SEALING COMPOUND. APPLY ON MALE THREADS ONLY.

THIS UNIT MUST BE ANCHORED TO THE ISLAND WITH A MINIMUM OF 4 BOLTS THROUGH THE BASE FRAME. DO NOT SHIM MIDDLE OF RAIL BASE TO BOLT DOWN DISPENSER. SHIM ONLY NEAR BOLTS.

NOTE: INSTALLATIONS TO CONFORM TO NATIONAL, STATE, AND LOCAL CODES

NOTE: IMPACT SAFETY VALVES ARE TO BE INSTALLED WITH SHEAR SECTION IN LINE WITH SURFACE OF ISLAND WITHIN $\pm 3/4"$ DEPENDING ON VALVE TO BE USED A LONGER OR SHORTER INLET NIPPLE MAY BE REQUIRED. INSTALLER MUST SUPPLY 1 1/2" INLET NIPPLES THREADED FOR THE INLET MANIFOLD (NPT THREADS). CUSTOMER TO PROVIDE PIPE, GROUND JOINT UNION, CONDUIT, AND FITTINGS TO ELECTRICAL AND PLUMBING INLETS. USE ONLY UL LISTED RIGID METAL CONDUIT AND UL LISTED SEALING FITTINGS WITH CONDUCTOR SEALS. UNION NOTE: CUSTOMER SUPPLIED UNIONS USED MUST BE UL LISTED FOR USE WITH FLAMMABLE FLUIDS.



BPC P/N: 130830

制图 DRWN: SBAR	日期 DATE: 10/3/14	名称 TITLE: FOOTPRINT DRAWING
批准 APP:	日期 DATE:	4K SUCTION
材料 SPEC NO:	材料 MATL: N/A	
比例 SCALE: NTS		
BENNETT PUMP CO.		
SPRING LAKE MI, 49456		

图号 DRAWING NUMBER
P4000s1

图幅
SIZE
D

更改人
SMB

日期
4/25/16

更改号
20998

图号 DRAWING NUMBER: P4000s1