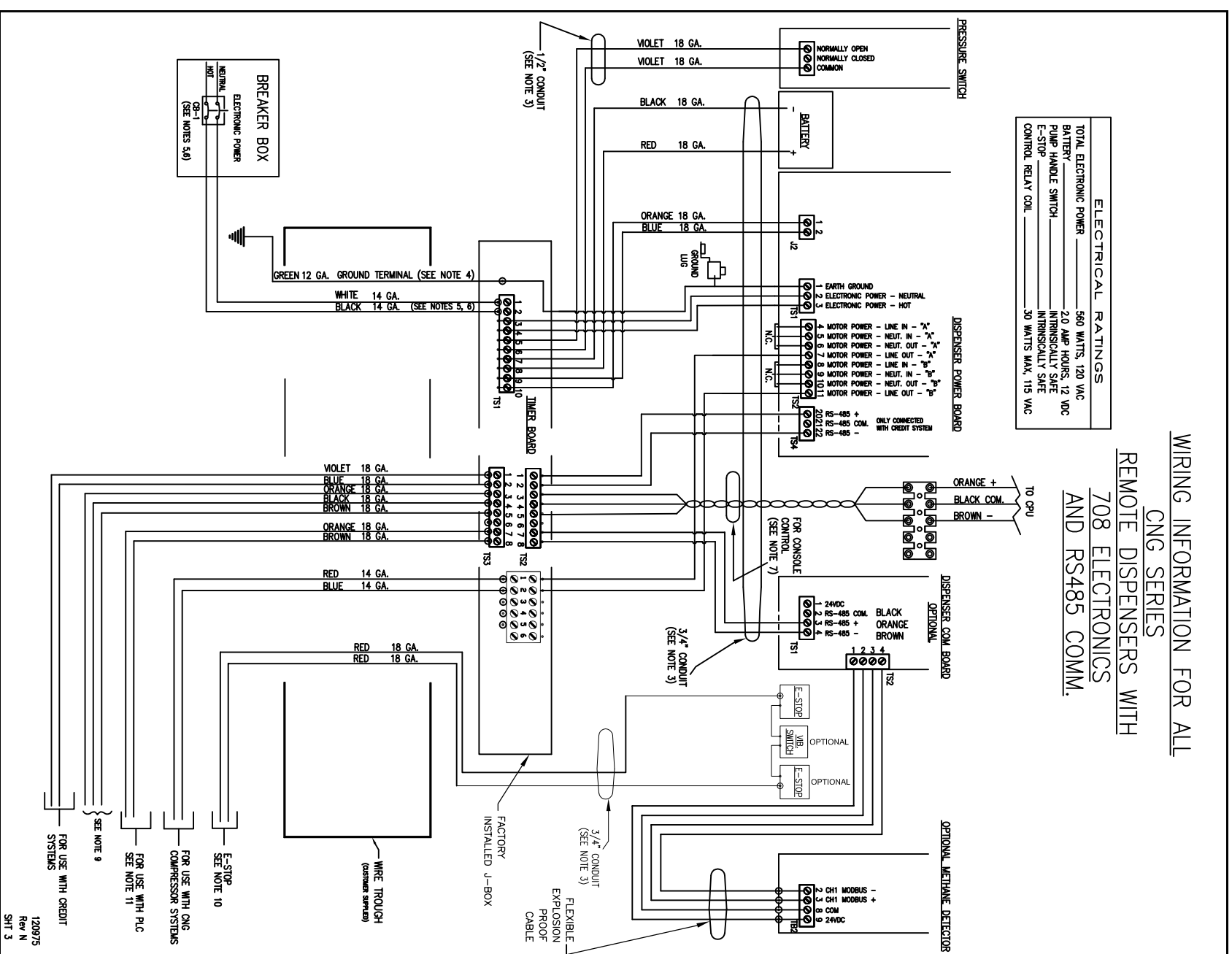


CNG Installation Diagram - Wire Diagram RS485

Note- Installer must print the Installation and Operators manual from the enclosed CD ROM and read and understand the Installation and Operation Instructions before installation.



CNG Series Remote Wiring Information

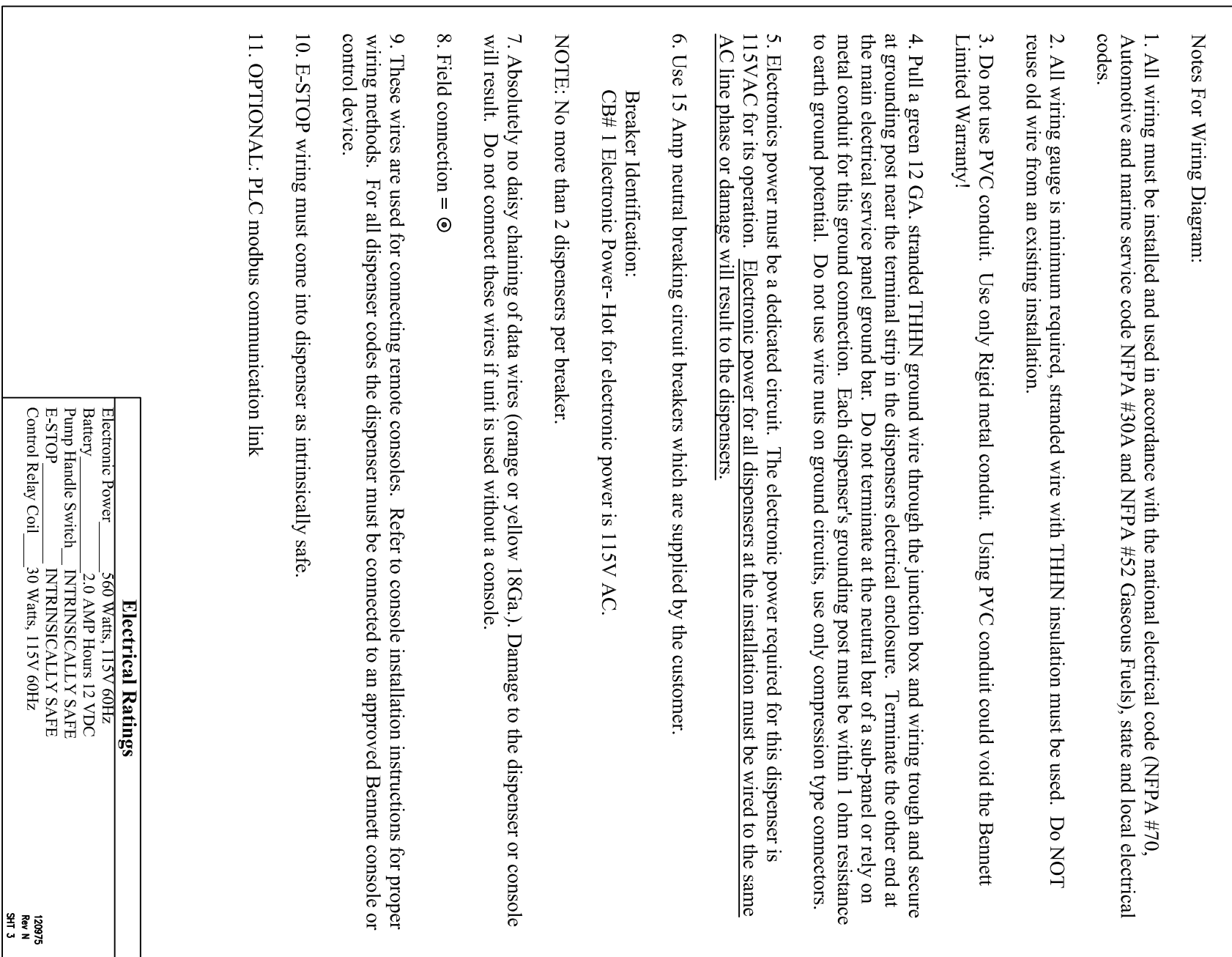


Figure 14B - CNG Series Remote