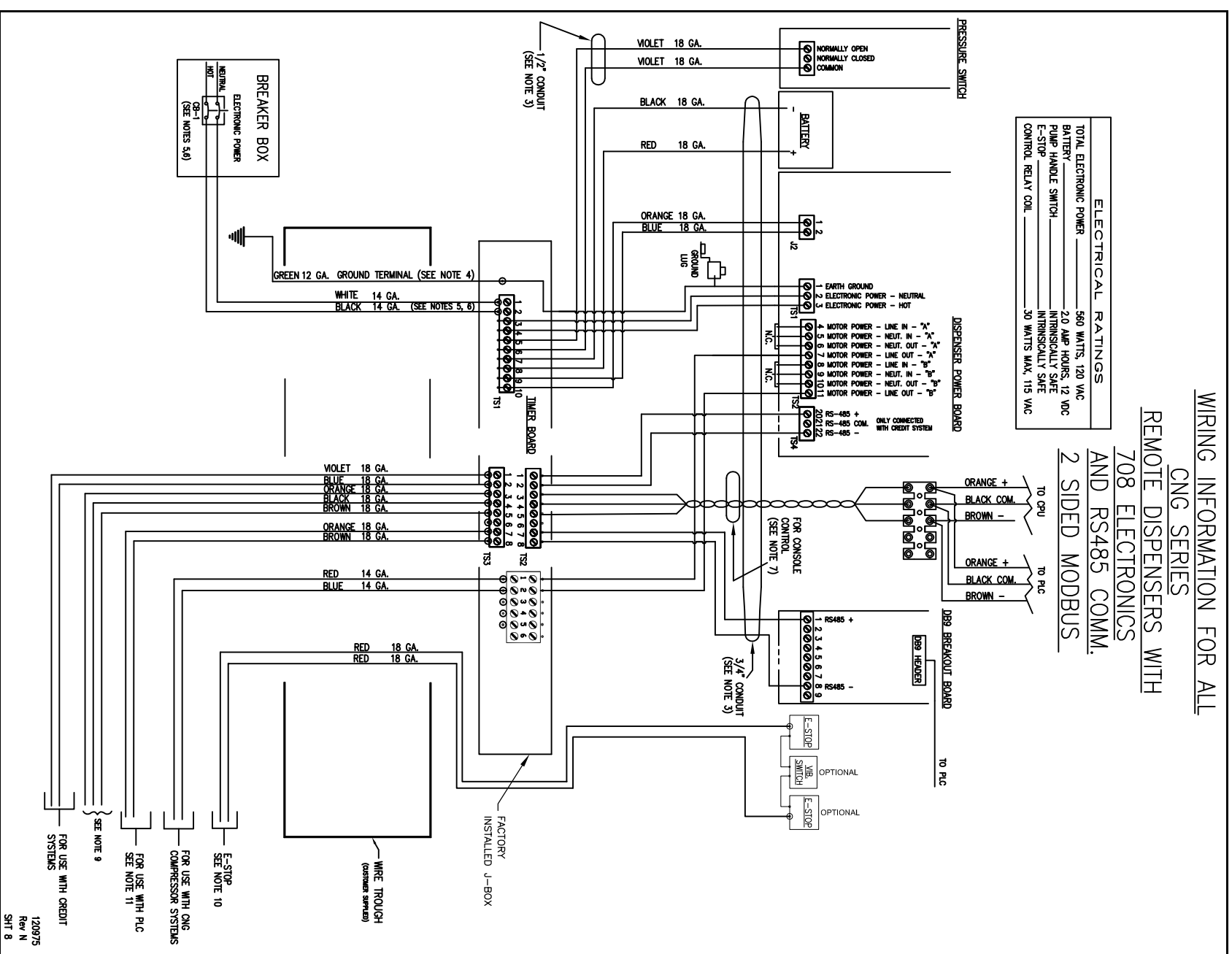


CNG Installation Diagram - Wire Diagram RS485 w/ Modbus

Note- Installer must print the Installation and Operators manual from the enclosed CD ROM and read and understand the Installation and Operation Instructions before installation.



CNG Series Remote Wiring Information

Notes For Wiring Diagram:

1. All wiring must be installed and used in accordance with the national electrical code (NFPA #70, Automotive and marine service code NFPA #30A and NFPA #52 Gaseous Fuels), state and local electrical codes.
2. All wiring gauge is minimum required, stranded wire with THHN insulation must be used. Do NOT reuse old wire from an existing installation.
3. Do not use PVC conduit. Use only Rigid metal conduit. Using PVC conduit could void the Bennett Limited Warranty!
4. Pull a green 12 GA. stranded THHN ground wire through the junction box and wiring trough and secure at grounding post near the terminal strip in the dispensers electrical enclosure. Terminate the other end at the main electrical service panel ground bar. Do not terminate at the neutral bar of a sub-panel or rely on metal conduit for this ground connection. Each dispenser's grounding post must be within 1 ohm resistance to earth ground potential. Do not use wire nuts on ground circuits, use only compression type connectors.
5. Electronics power must be a dedicated circuit. The electronic power required for this dispenser is 115VAC for its operation. Electronic power for all dispensers at the installation must be wired to the same AC line phase or damage will result to the dispensers.
6. Use 15 Amp neutral breaking circuit breakers which are supplied by the customer.

Breaker Identification:

CB# 1 Electronic Power- Hot for electronic power is 115V AC.

NOTE: No more than 2 dispensers per breaker.

7. Absolutely no daisy chaining of data wires (orange or yellow 18Ga.). Damage to the dispenser or console will result. Do not connect these wires if unit is used without a console.
8. Field connection = ⊕
9. These wires are used for connecting remote consoles. Refer to console installation instructions for proper wiring methods. For all dispenser codes the dispenser must be connected to an approved Bennett console or control device.
10. E-STOP wiring must come into dispenser as intrinsically safe.
11. OPTIONAL: PLC modbus communication link

Electrical Ratings

Electronic Power	560 Watts, 115V 60Hz
Battery	2.0 AMP Hours 12 VDC
Pump Handle Switch	INTRINSICALLY SAFE
E-STOP	INTRINSICALLY SAFE
Control Relay Coil	30 Watts, 115V 60Hz

120975
Rev N
SMT 8

Figure 14B - CNG Series Remote