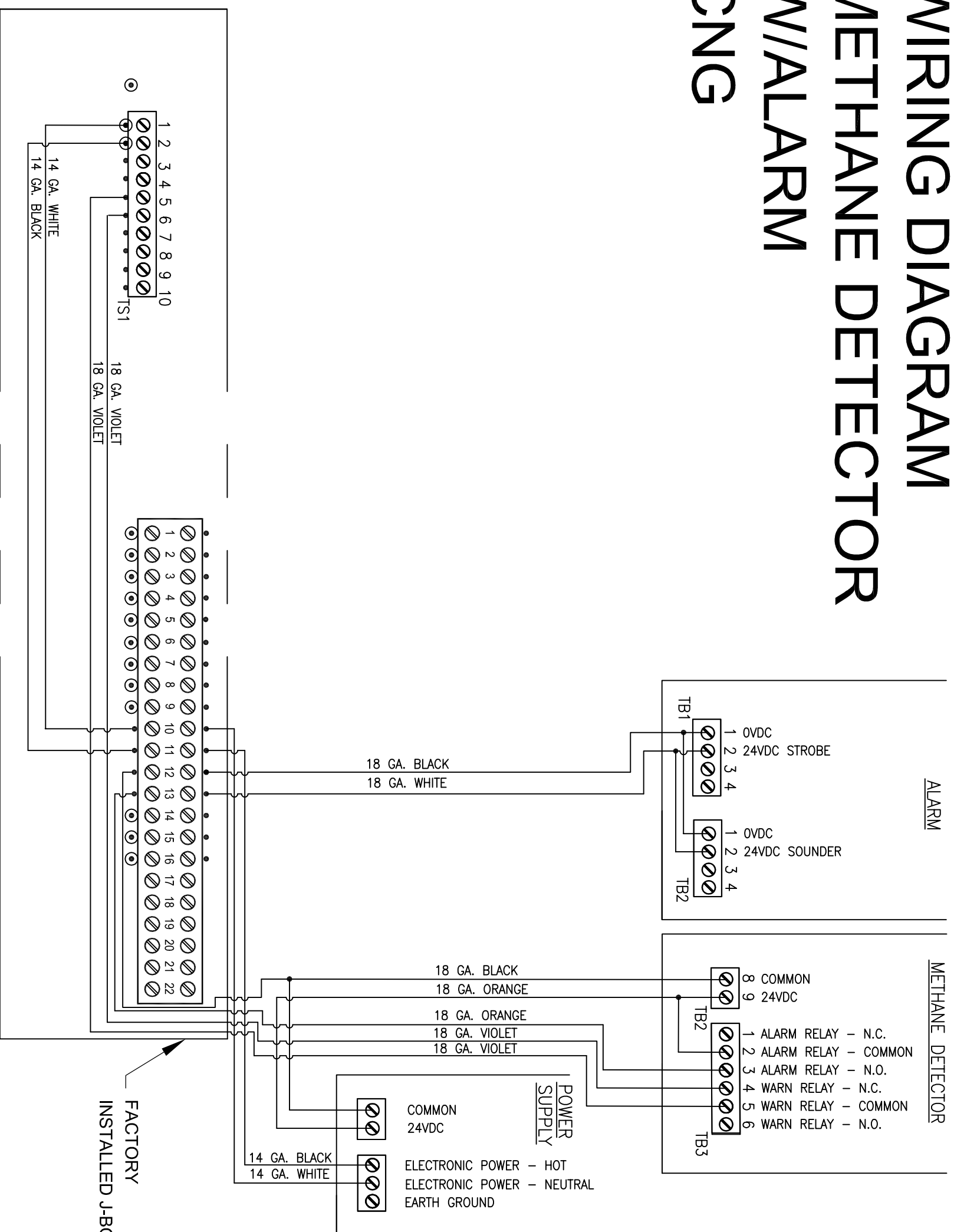


WIRING DIAGRAM METHANE DETECTOR W/ALARM CNG



P4218
Rev A
SHT 1