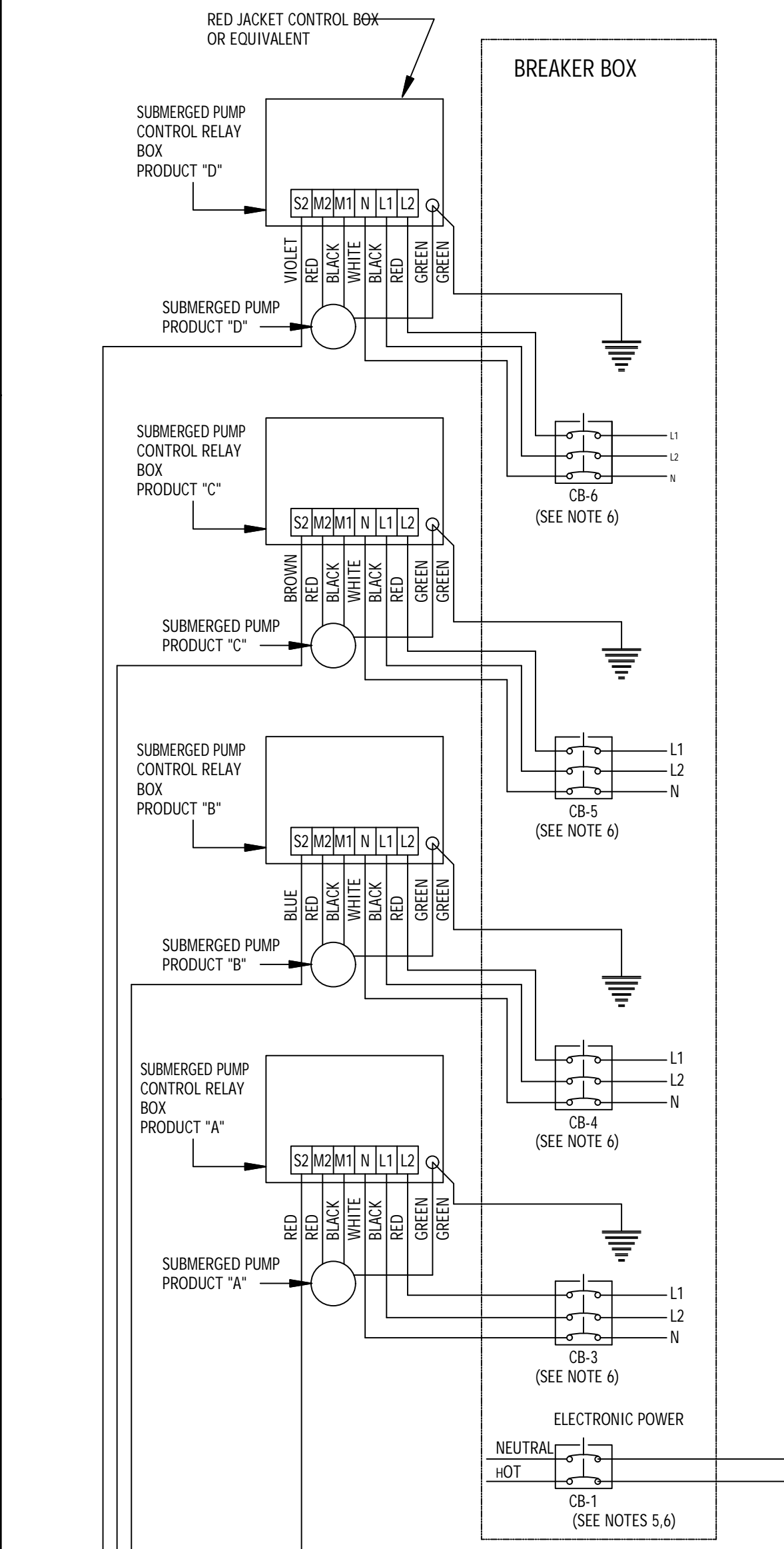


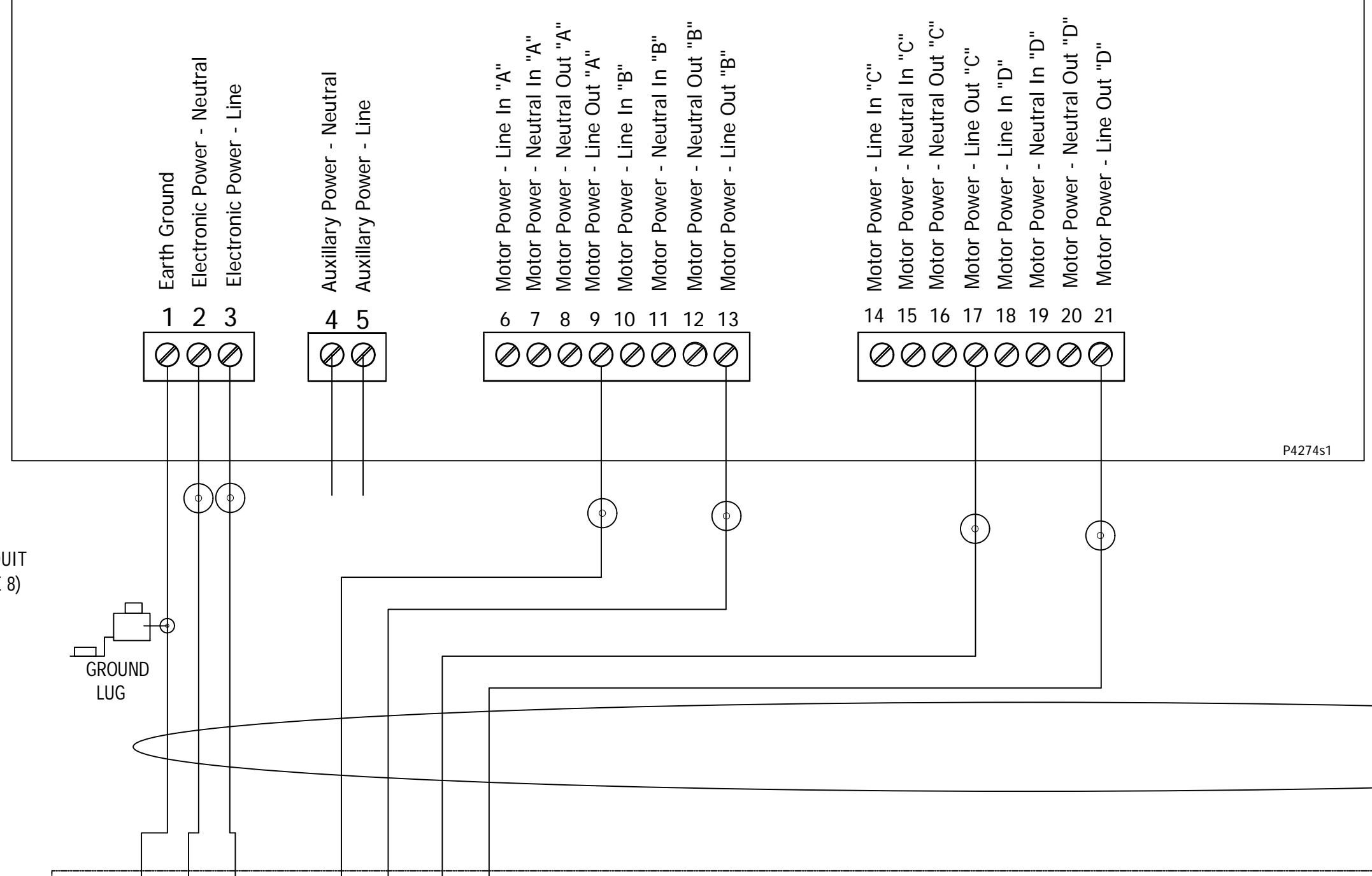
尺寸单位为毫米[英寸]  
DIMENSIONS IN MILLIMETERS [INCHES]

# WIRING AND INSTALLATION WITH REMOTE HYDRAULICS 819/919 CPU - CURRENT LOOP

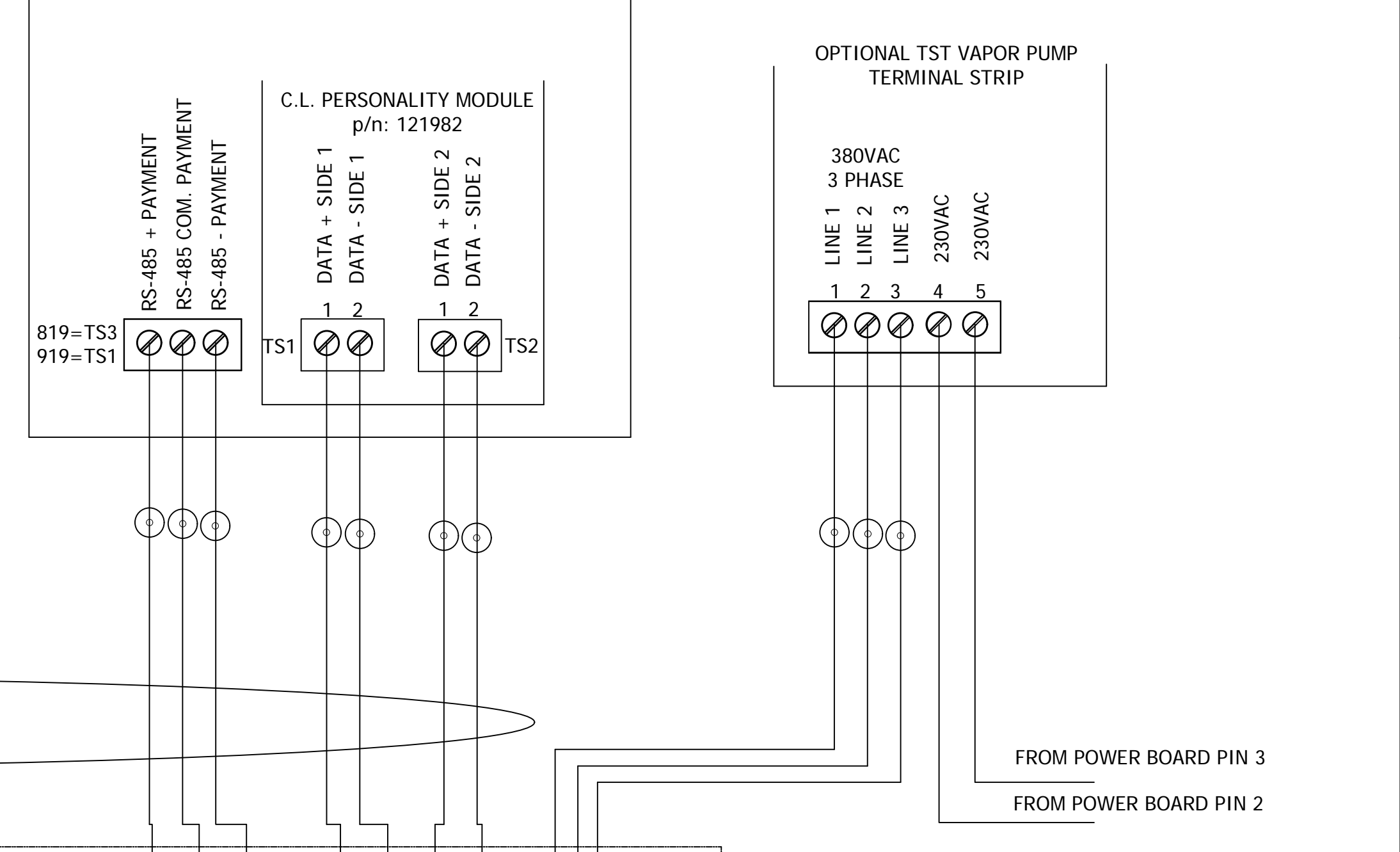
ELECTRICAL RATINGS	
ELECTRONIC POWER:	350 WATTS 120v/240v 50/60hz
SUBMERGED PUMP CONTROL RELAY:	30 WATTS MAX 120/240 VAC
AUXILLARY POWER:	3 AMPS MAX



## 819/919 Power Distribution Board



## 819/919 CPU Board



### OPTIONAL FACTORY INSTALLED J-BOX



RED 14 GA  
BLUE 14 GA  
BROWN 14 GA  
VIOLET 14 GA

VIOLET 18 GA  
GRAY 18 GA  
BLUE 18 GA

YELLOW 18 GA  
ORANGE 18 GA  
YELLOW 18 GA  
ORANGE 18 GA

NOTE 7

USE WITH PAYMENT SYSTEM

FROM OTHER DISPENSERS

SHEET 1  
BPC P/N: 127537

D	ANJ	5/2/17	21363	制图 DRWN: S BAR	日期 DATE: 10/6/14	名称 TITLE: 819/919 WIRE DIAGRAM
C	SAL	5/24/16	21026	批准 APP:	日期 DATE:	REMOTE HYDRAULICS CURRENT LOOP
B	SMB	4/25/16	20998			材料 MAT: N/A
A	SMB	2/26/15	20583			
REV	BY	DATE	ECN NO.	图号 DRAWING NUMBER: P4274s1		