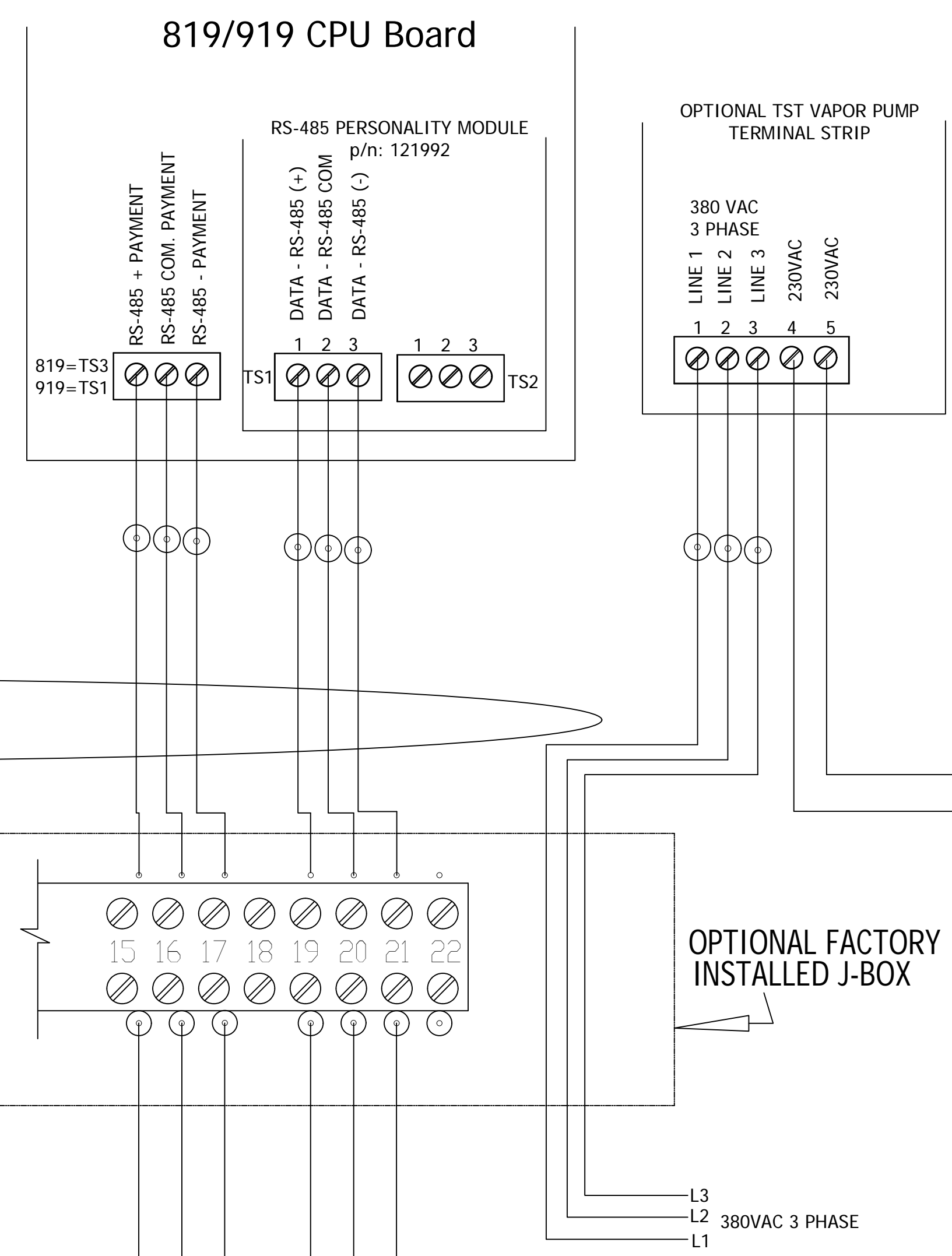
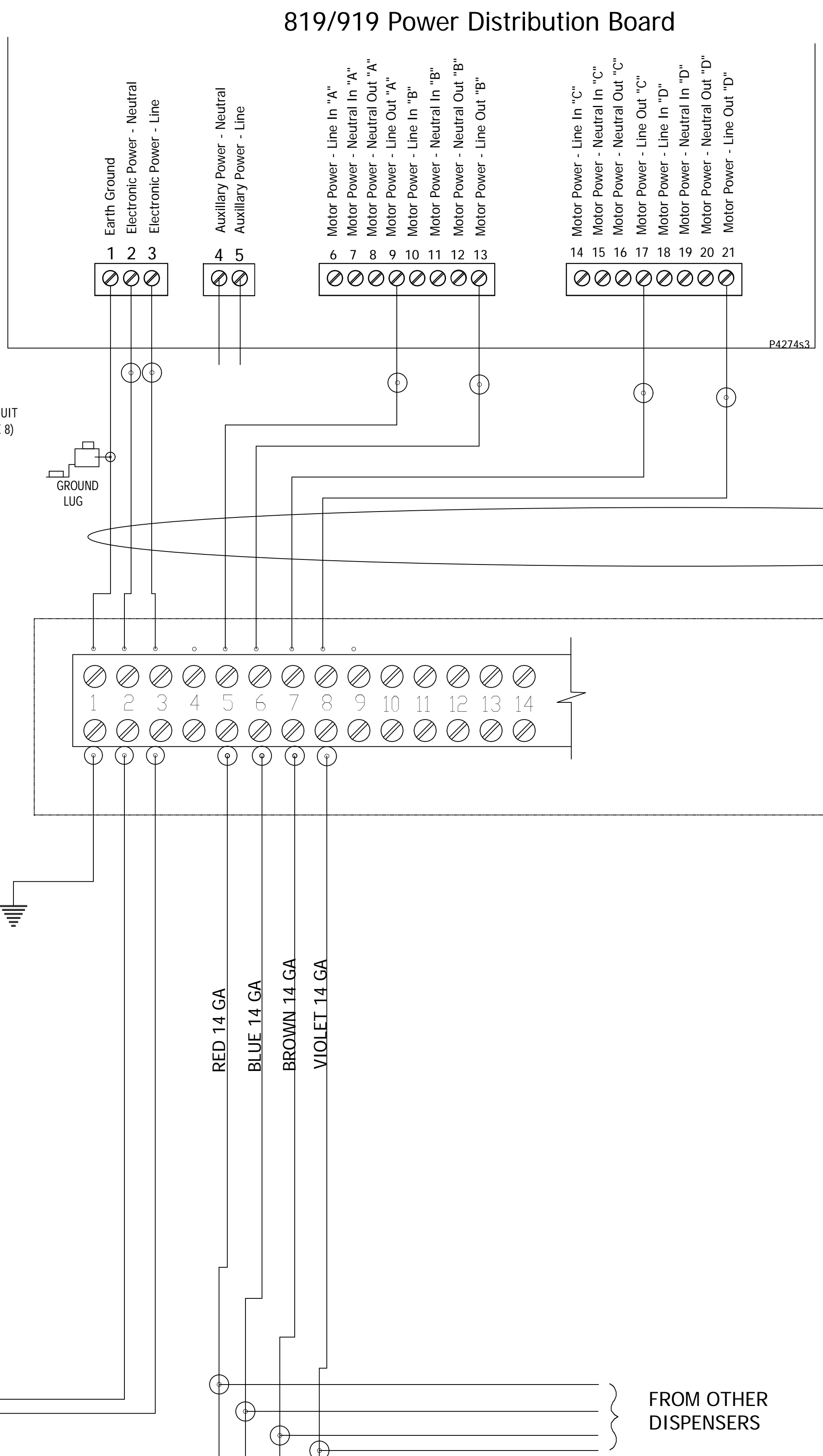
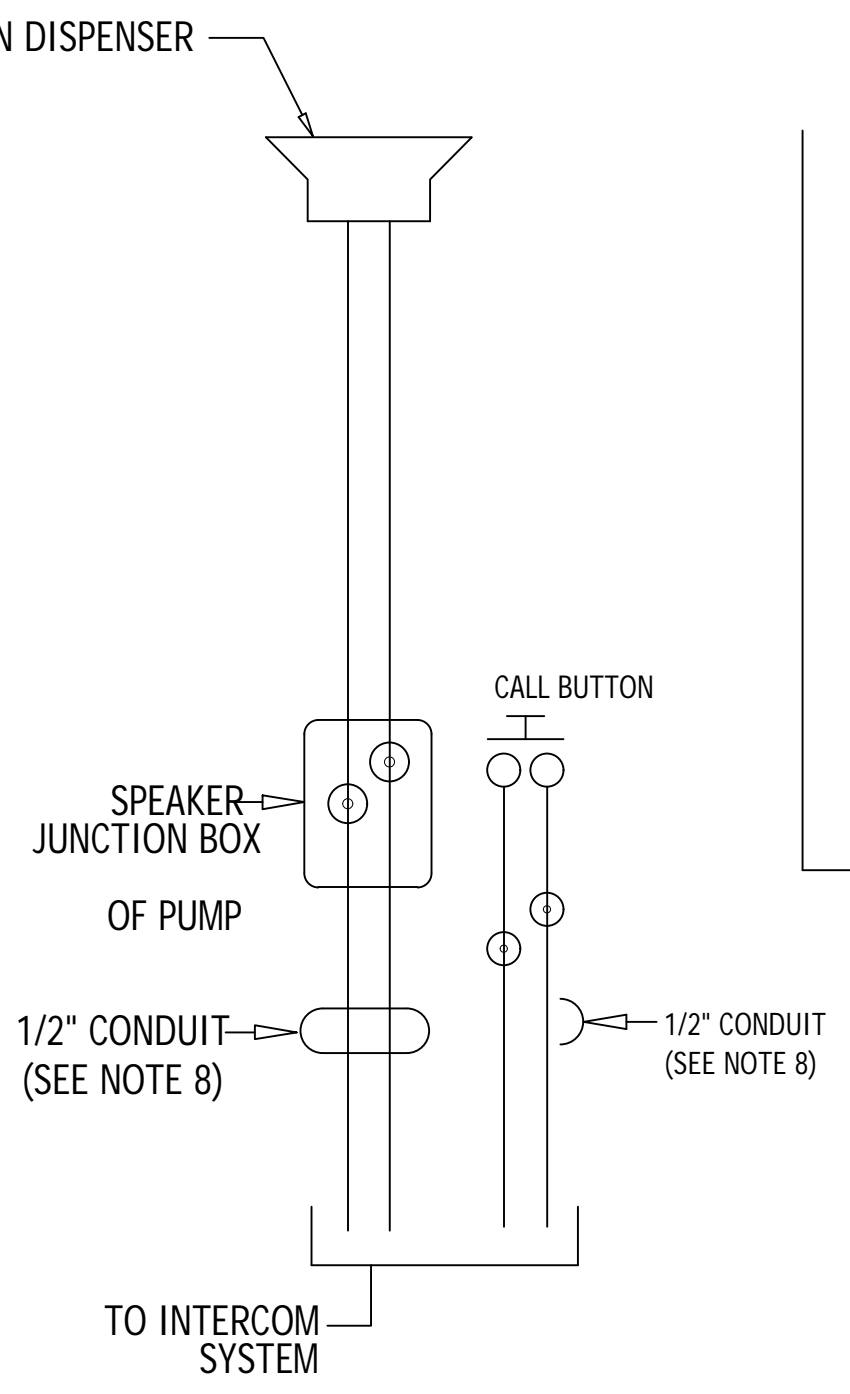
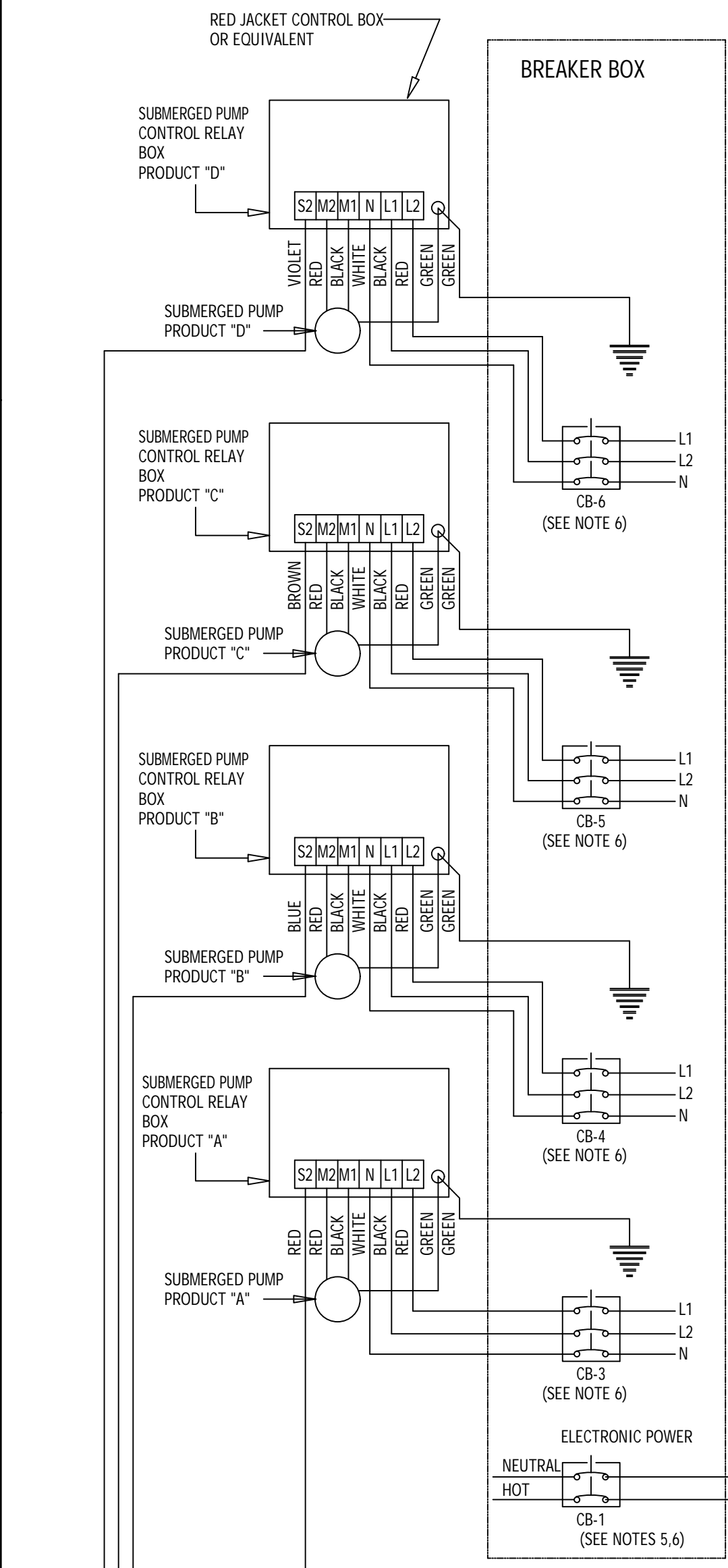


WIRING AND INSTALLATION WITH REMOTE HYDRAULICS 819/919 CPU - RS-485 COMM

CLASS 2 图幅 SIZE D DRAWING NUMBER P4274s3 此图是美国贝纳特公司的财产。借阅者要在我们要求归还时交回图纸。未经许可不得复制。 PROPRIETARY AND CONFIDENTIAL THIS PRINT IS THE PROPERTY OF BENNETT PUMP CO. AND LOANED SUBJECT TO RETURN ON DEMAND. MAY NOT BE REPRODUCED WITHOUT OUR CONSENT. 不依比例决定 DO NOT SCALE

ELECTRICAL RATINGS	
ELECTRONIC POWER:	350 WATTS 120v/240v 50/60hz
SUBMERGED PUMP	30 WATTS MAX 120/240 VAC
CONTROL RELAY:	3 Amps MAX
AUXILLARY POWER:	



图号 DRAWING NUMBER 图幅 SIZE P4274s3 D

D	ANJ	5/2/17	21363	制图 DRWN: S BAR	日期 DATE: 10/6/14	名称 TITLE: 819/919 WIRE DIAGRAM
C	SAL	5/24/16	21026	批准 APP:	日期 DATE:	REMOTE HYDRAULICS RS-485
B	SMB	4/25/16	20998			
A	SMB	2/26/15	20583			
REV	BY	DATE	ECN NO.	图号 DRAWING NUMBER: P4274s3		

物料 MATL: BENNETT PUMP CO. SPRING LAKE MI, 49456

SHEET 3
BPC P/N: 127539