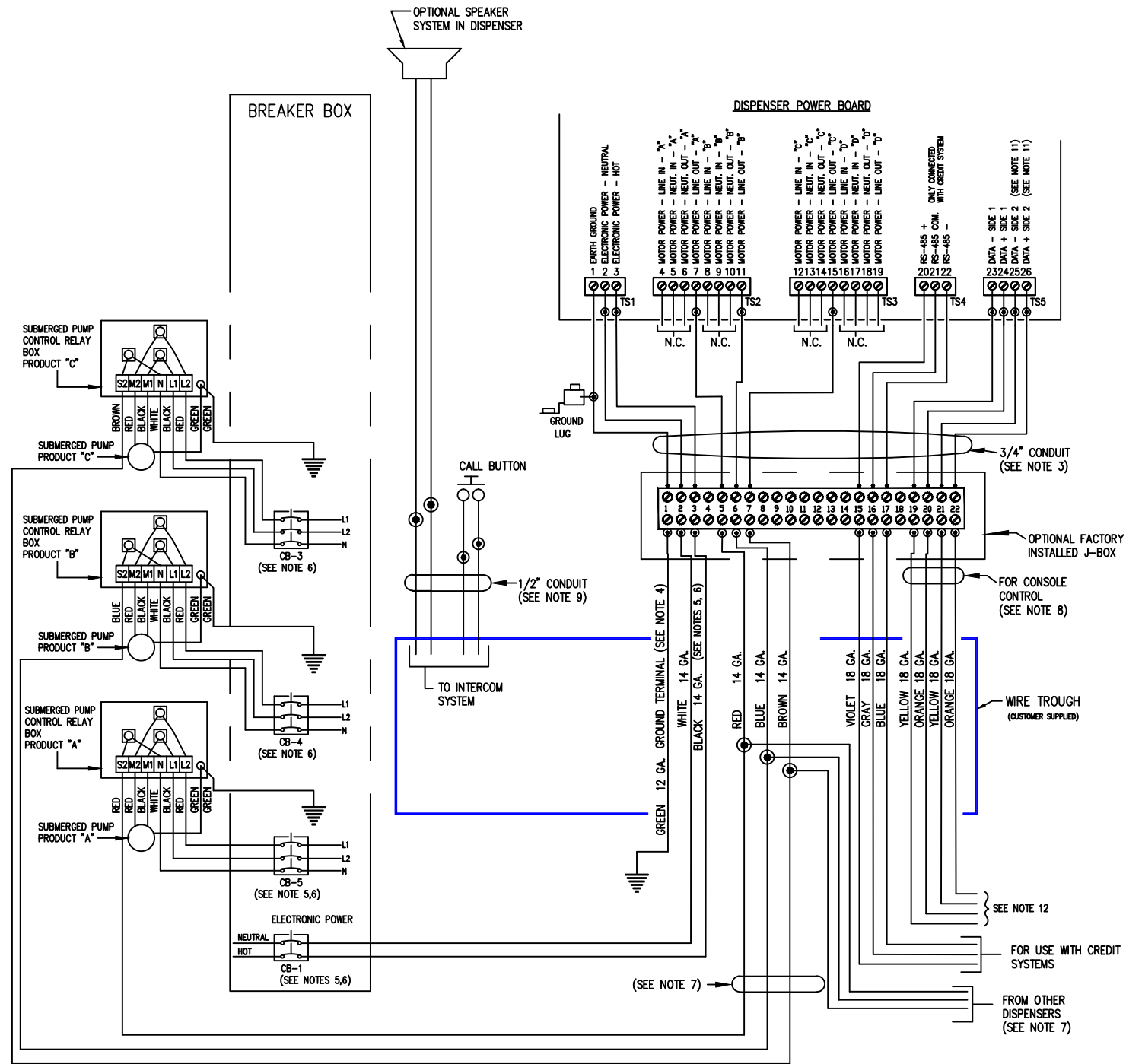


# WIRING INFORMATION FOR ALL 1000 SERIES REMOTE DISPENSERS WITH 708 ELECTRONICS CURRENT LOOP

ELECTRICAL RATINGS	
TOTAL ELECTRONIC POWER	560 WATTS, 120/240 V
FRANKLIN INTELEVAC	160 WATTS, 120/240 V
MAIN CONTROL VALVE	15 WATTS, 120/240 V
SUBMERGED PUMP CONTROL RELAY COIL	30 WATTS MAX, 120/240 V
PULSER	30 MA, 5 VDC
BATTERY	2.0 AMP HOURS, 12 VDC
PUMP HANDLE SWITCH	INTRINSICALLY SAFE



ELECTRICAL RATINGS	
TOTAL ELECTRONIC POWER	560 WATTS, 120/240 V
FRANKLIN INTELEVAC	160 WATTS, 120/240 V
MAIN CONTROL VALVE	15 WATTS, 120/240 V
SUBMERGED PUMP CONTROL RELAY COIL	30 WATTS MAX, 120/240 V
PULSER	30 MA, 5 VDC
BATTERY	2.0 AMP HOURS, 12 VDC
PUMP HANDLE SWITCH	INTRINSICALLY SAFE

WIRING INFORMATION FOR ALL  
1000 SERIES  
REMOTE DISPENSERS WITH  
708 ELECTRONICS  
RS485 COMM.

