

DEF 400-DH SERIES FOOTPRINTS

INSTALLATION NOTES:

- A. INSTALLATION MUST BE IN ACCORDANCE WITH NATIONAL ELECTRIC CODE (NFPA 70), THE AUTOMOTIVE AND MARINE SERVICE CODE (NFPA 30A), AND ALL STATE AND LOCAL CODES.
- B. USE ONLY UNDERWRITERS LISTED THREADED RIGID CONDUIT AND LISTED SEALING FITTINGS WITH CONDUCTOR SEALS.
- C. FIELD CONNECTIONS ARE DONE IN THE UPPER ELECTRICAL ENCLOSURE. WIRE MUST EXTEND 72 INCHES ABOVE BASE OF THE DISPENSER TO MAKE ELECTRICAL CONNECTIONS.
- D. SHIMS SHOULD ONLY BE USED UNDER BOLTS TO ENSURE DISPENSER IS LEVEL. IMPROPER SHIMMING THAT RESULTS IN MISALIGNED FRAMES IS **NOT** COVERED UNDER THE BENNETT LIMITED WARRANTY.
- E. ONLY APPROVED FITTINGS AND THREAD SEALANT SHOULD BE USED WHEN CONNECTING THE HYDRAULIC COMPONENTS.
- F. DIMENSIONS IN mm [INCHES]
- G. SOME FEATURES NOT AVAILABLE ON ALL MODELS
- H. HEATER SPECED FOR SIZE OF DEF CABINET ONLY. CABINET IS SEALED FROM ALL SIDES INCLUDING GROUND PROVISIONS MUST BE MADE SO THAT INLET PIPING ENTERING THE CABINET MAINTAINS A TEMPERATURE ABOVE FREEZING
- I. DIMENSIONS SUBJECT TO CHANGE WITHOUT NOTICE

CLASS 等级
SIZE 尺寸
DRAWING NUMBER 图号
P3036

此图是美国贝纳特公司的财产。 请顾客要在我们要求时交回图样。 未经授权不得复制。
THIS PRINT IS THE PROPERTY OF BENNETT PUMP CO. AND LOANED SUBJECT TO RETURN ON DEMAND. MAY NOT BE REPRODUCED WITHOUT OUR CONSENT.

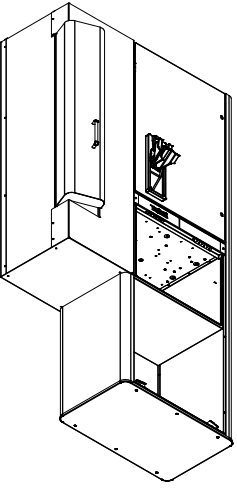
PROPRIETARY AND CONFIDENTIAL
不在此外决定
DO NOT SCALE

DIMENSIONS IN MILLIMETERS [INCHES]
尺寸单位为毫米 [英寸]

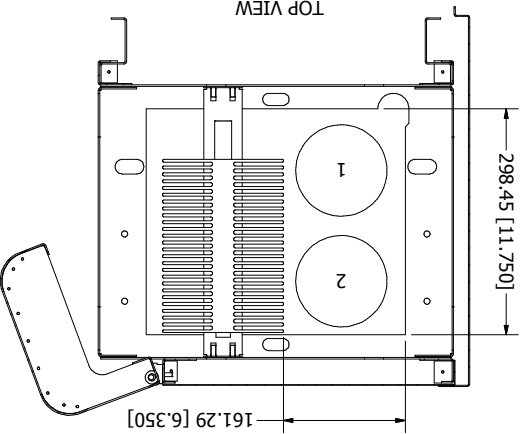
NOTES:
INLET PIPE: 1" NPT MALE THREADS

ELECTRICAL RATING:
VOLTAGE: 115 VAC POWER
CURRENT: 8 AMPS

ALL ELECTRICAL CONNECTIONS MADE INSIDE THE EXISTING BIG FUELER CABINET. SEE FOOTPRINT FOR BIG FUELER SERIES FOR DIMENSIONS
** HEATER COIL RATED FOR 115 VAC ONLY. DISPENSER POWER RATED FOR 115 OR 230 VAC



Circles 1 & 2 represent the area open for inlet. DEF dispenser inlet and has clear path to inlet height of DEF dispenser
Circle 2 is below hose reel. There is 13" vertical clearance between base of dispenser and base of hose reel. This may be used if piping is looped from dispenser to dispenser



SECTION C-C
SCALE 1/5
TOP VIEW

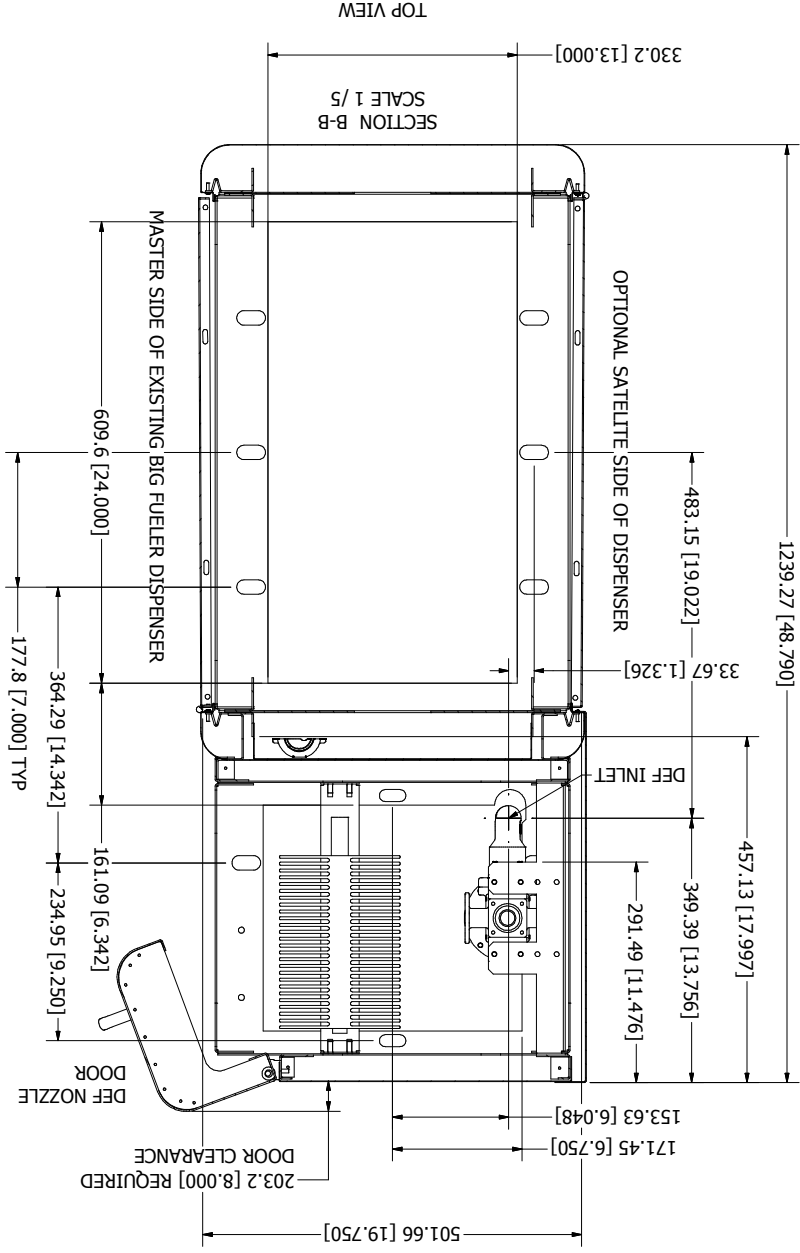
SHT 1 OF 3
BPC P/N: 119819

名称 TITLE: FOOTPRINT DEF EXTENSION
日期 DATE: 3/12/12
批准 APPR: S BAR
物料 MATERIAL: N/A

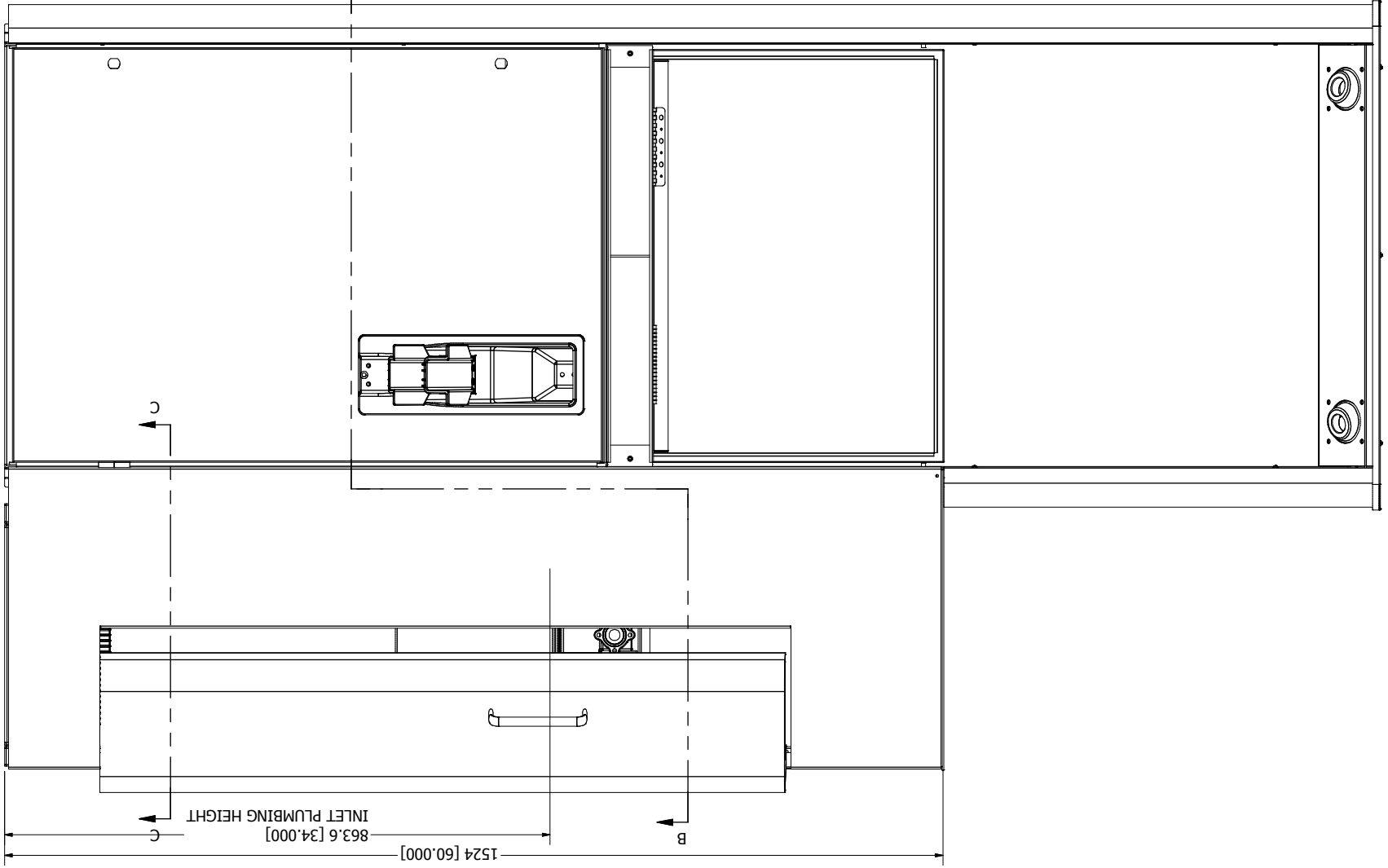
REV	BY	DATE	ECN NO	图号	图号	图号	图号
B	SAL	2/25/16	20946	批准	图号	图号	图号
A	SMB	10/3/13	19656	更改	图号	图号	图号

图号 DRAWING NUMBER
P3036
尺寸 SIZE

BENNETT PUMP CO.
SPRING LAKE MI, 49456



SECTION B-B
SCALE 1/5
TOP VIEW



DEF 400-DH SERIES FOOTPRINTS

INSTALLATION NOTES:

A. INSTALLATION MUST BE IN ACCORDANCE WITH NATIONAL ELECTRIC CODE (NEPA 70), THE AUTOMOTIVE AND MARINE SERVICE CODE (NFPA 30A), AND ALL STATE AND LOCAL CODES.
 B. USE ONLY UNDERWRITERS LISTED THREADED RIGID CONDUIT AND LISTED SEALING FITTINGS WITH CONDUCTOR SEALS.
 C. FIELD CONNECTIONS ARE DONE IN THE UPPER ELECTRICAL ENCLOSURE. WIRE MUST EXTEND 72 INCHES ABOVE BASE OF THE DISPENSER TO MAKE ELECTRICAL CONNECTIONS.
 D. SHIMS SHOULD ONLY BE USED UNDER BOLTS TO ENSURE DISPENSER IS LEVEL.
 E. ONLY APPROVED FITTINGS AND THREAD SEALANT SHOULD BE USED WHEN CONNECTING THE HYDRAULIC COMPONENTS.
 F. DIMENSIONS IN mm [INCHES]
 G. SOME FEATURES NOT AVAILABLE ON ALL MODELS
 H. HEATER SPECED FOR SIZE OF DEF CABINET ONLY. CABINET IS SEALED FROM ALL SIDES INCLUDING GROUND. PROVISIONS MUST BE MADE SO THAT INLET PIPING ENTERING THE CABINET MAINTAINS A TEMPERATURE ABOVE FREEZING
 I. DIMENSIONS SUBJECT TO CHANGE WITHOUT NOTICE

PROPERTY AND CONFIDENTIAL
 THIS PRINT IS THE PROPERTY OF BENNETT PUMP CO. AND LOANED SUBJECT TO RETURN ON DEMAND. MAY NOT BE REPRODUCED WITHOUT OUR CONSENT. 未经授权，不得复制或再行发行。

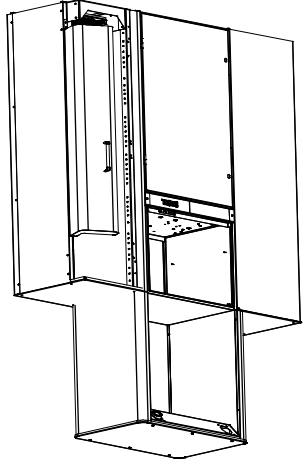
尺寸单位为毫米[英寸]
 DIMENSIONS IN MILLIMETERS [INCHES]

NOTES:
 INLET PIPE: 1" NPT MALE THREADS

ELECTRICAL RATING:
 VOLTAGE: 115 VAC POWER
 CURRENT: 16 AMPS

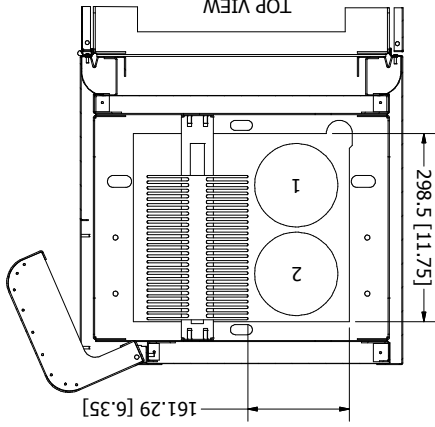
ALL ELECTRICAL CONNECTIONS MADE INSIDE THE EXISTING BIG FUELER CABINET. SEE FOOTPRINT FOR BIG FUELER SERIES FOR DIMENSIONS

** HEATER COIL RATED FOR 115 VAC ONLY. DISPENSER POWER RATED FOR 115 OR 230 VAC



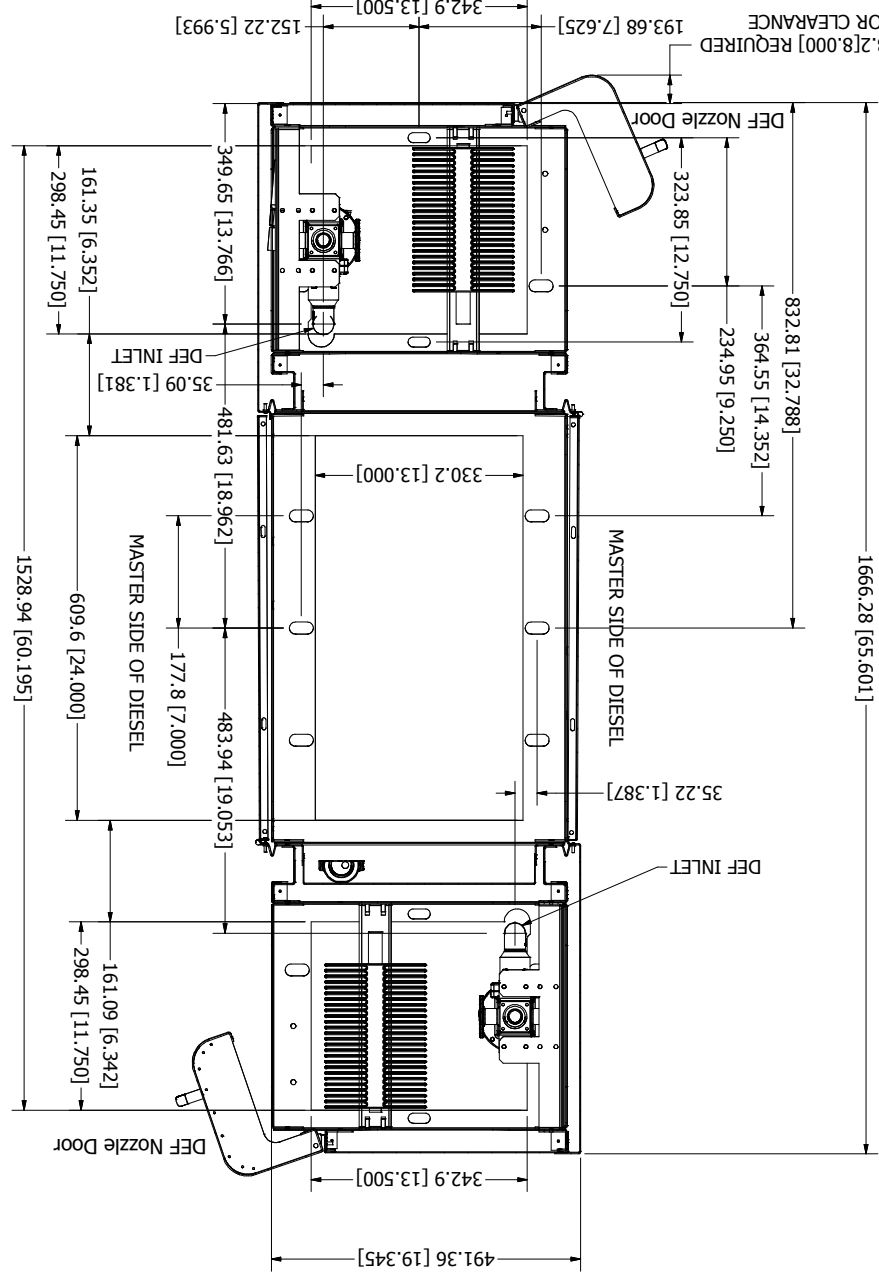
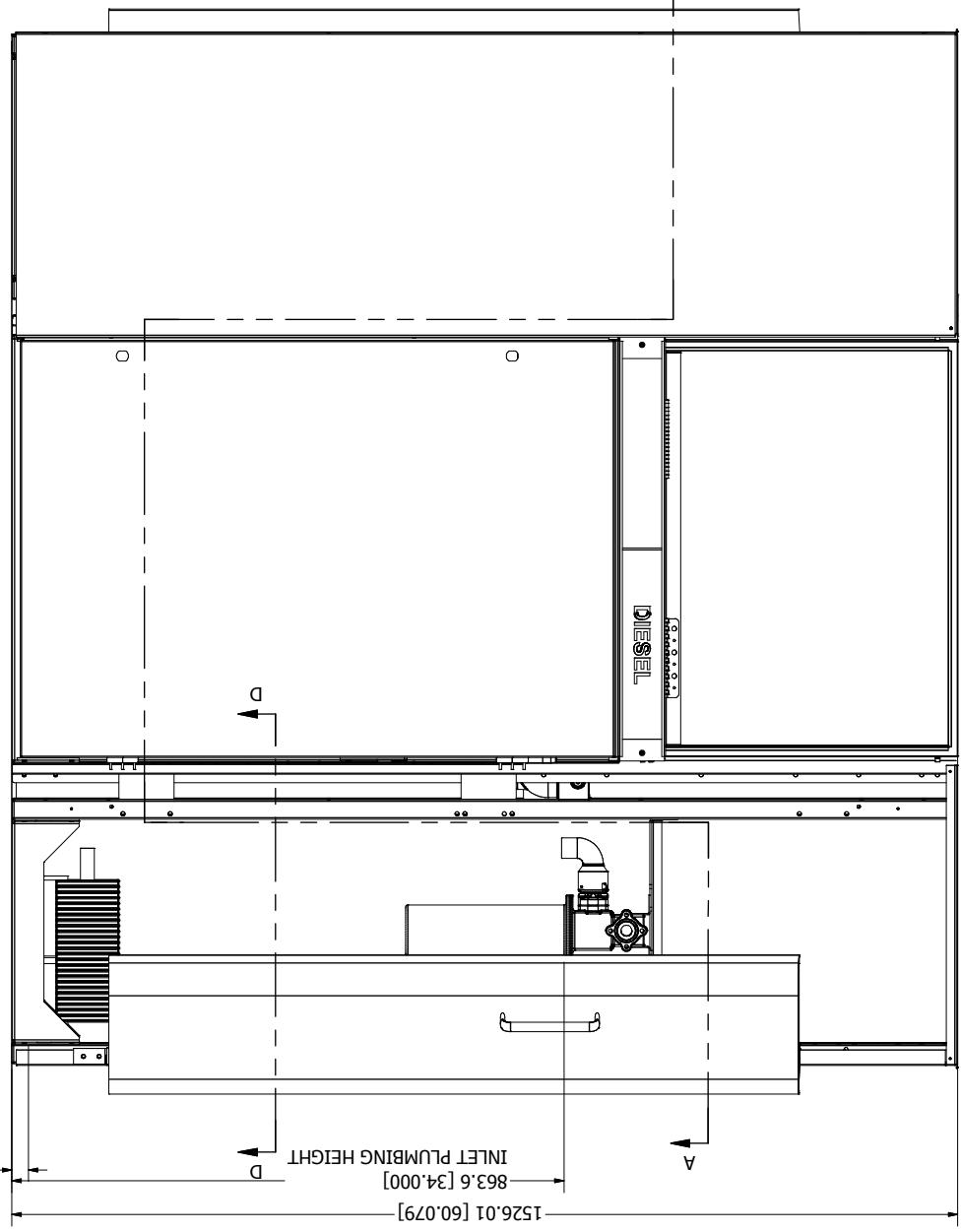
26.82 [1.056] HEIGHT TO BOTTOM OF HEATER BRACKET

Circles 1 & 2 represent the area open for inlet.
 Circle 1 is primary inlet and has clear path to inlet height of DEF dispenser
 Circle 2 is below hose reel. There is 13" vertical clearance between base of dispenser and base of hose reel. This may be used if piping is looped from dispenser to dispenser



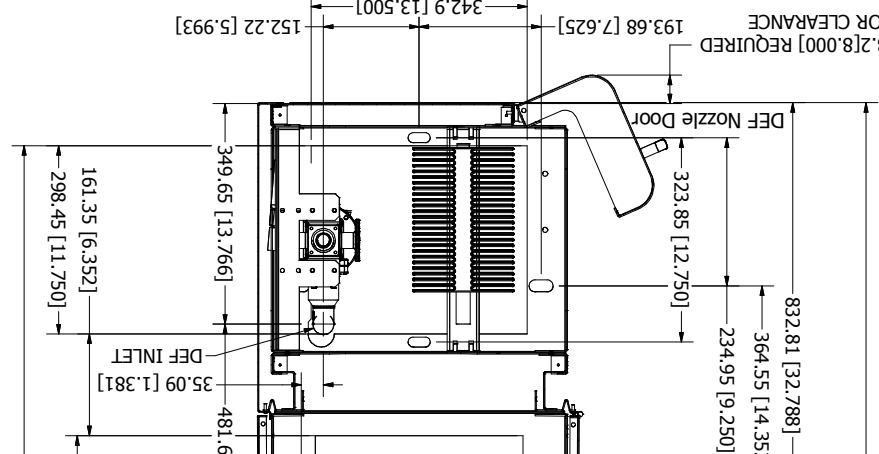
SECTION D-D

SCALE 1 / 6



SECTION A-A

SCALE 1 / 6



图号 DRAWING NUMBER
P3036

REV	BY	DATE	更改人	日期	图号
A	SMB	10/3/13	19656		
B	SAL	2/5/16	20946		

批准 APPR: 日期 DATE: 6/15/12
 图号 DRAWING NUMBER: P3036

图号 DRAWING NUMBER
P3036

名称 TITLE: FOOTPRINT DUAL DEF 420D
 材料 MATL: N/A
 图号 DRAWING NUMBER: P3036

SHT 2 OF 3
 BPC P/N: 119819

图号 DRAWING NUMBER
P3036

名称 TITLE: FOOTPRINT DUAL DEF 420D
 材料 MATL: N/A

图号 DRAWING NUMBER: P3036

SHT 2 OF 3
 BPC P/N: 119819

DEF 400-DH SERIES FOOTPRINTS

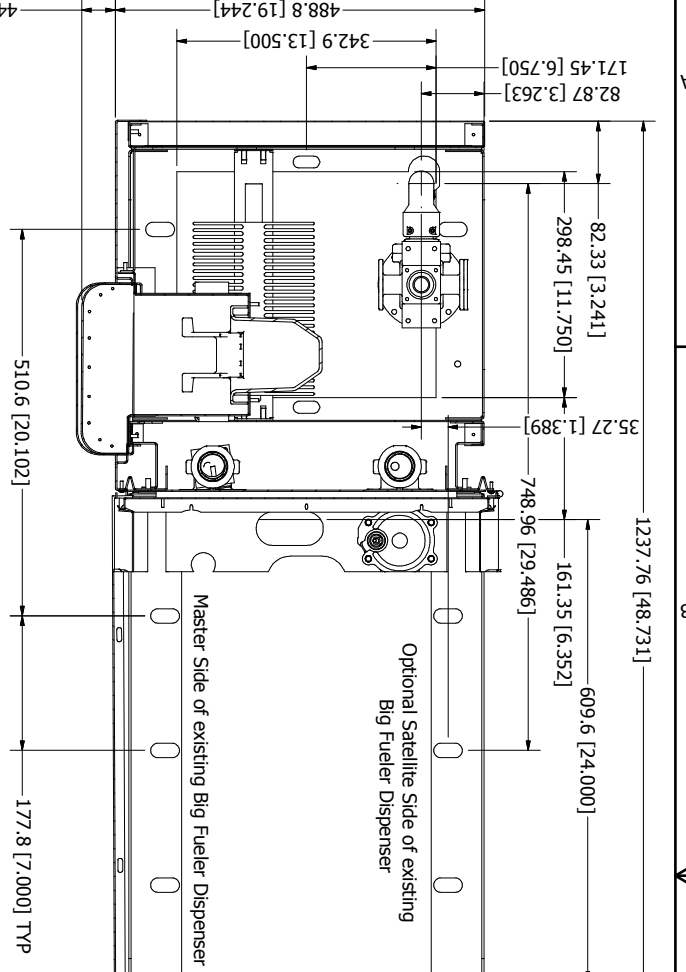
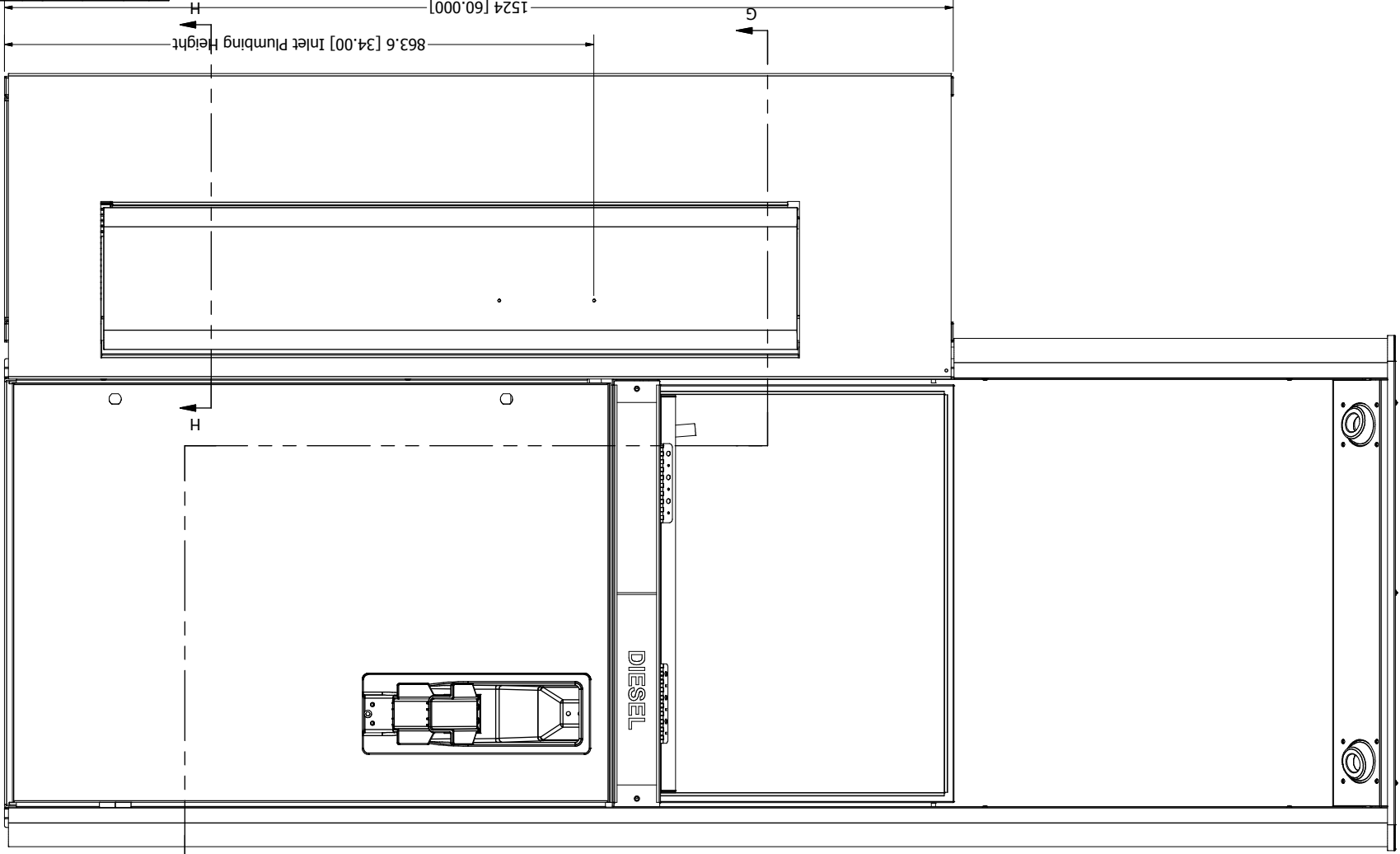
A. INSTALLATION MUST BE IN ACCORDANCE WITH NATIONAL ELECTRIC CODE (NFPA 70), THE AUTOMOTIVE AND MARINE SERVICE CODE (NFPA 30A), AND ALL STATE AND LOCAL CODES.

B. USE ONLY UNDERWRITERS LISTED THREADED RIGID CONDUIT AND LISTED SEALING FITTINGS WITH CONDUCTOR SEALS.
 C. FIELD CONNECTIONS ARE DONE IN THE UPPER ELECTRICAL ENCLOSURE. WIRE MUST EXTEND 72 INCHES ABOVE BASE OF THE DISPENSER TO MAKE ELECTRICAL CONNECTIONS.
 D. SHIMS SHOULD ONLY BE USED UNDER BOLTS TO ENSURE DISPENSER IS LEVEL. IMPROPER SHIMMING THAT RESULTS IN MISALIGNED FRAMES IS NOT COVERED UNDER THE BENNETT LIMITED WARRANTY.
 E. ONLY APPROVED FITTINGS AND THREAD SEALANT SHOULD BE USED WHEN CONNECTING THE HYDRAULIC COMPONENTS.
 F. DIMENSIONS IN mm (INCHES)
 G. SOME FEATURES NOT AVAILABLE ON ALL MODELS
 H. HEATER SPEC'ED FOR SIZE OF DEF CABINET ONLY. CABINET IS SEALED FROM ALL SIDES INCLUDING GROUND. PROVISIONS MUST BE MADE SO THAT INLET PIPING ENTERING THE CABINET MAINTAINS A TEMPERATURE ABOVE FREEZING
 I. DIMENSIONS SUBJECT TO CHANGE WITHOUT NOTICE

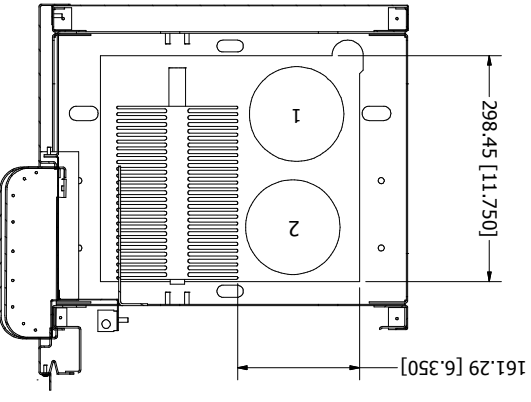
INSTALATION NOTES:

CLASS 2 等级2	D SIZE 图例	P3036 图号 DRAWING NUMBER	此图是美国贝纳特公司的财产。借阅者要向我们要求时交回原图。未经许可不得复制。 THIS PRINT IS THE PROPERTY OF BENNETT PUMP CO. AND LOANED SUBJECT TO RETURN ON DEMAND. MAY NOT BE REPRODUCED WITHOUT OUR CONSENT.
-------------	-----------	-------------------------	---

NOTES:
 INLET PIPE: 1" NPT MALE THREADS
 ELECTRICAL RATING:
 VOLTAGE: 115 VAC POWER
 CURRENT: 8 AMPS
 ALL ELECTRICAL CONNECTIONS MADE INSIDE THE EXISTING BIG FUELER CABINET. SEE FOOTPRINT FOR BIG FUELER SERIES FOR DIMENSIONS
 ** HEATER COIL RATED FOR 115 VAC ONLY. DISPENSER POWER RATED FOR 115 OR 230 VAC



TOP VIEW



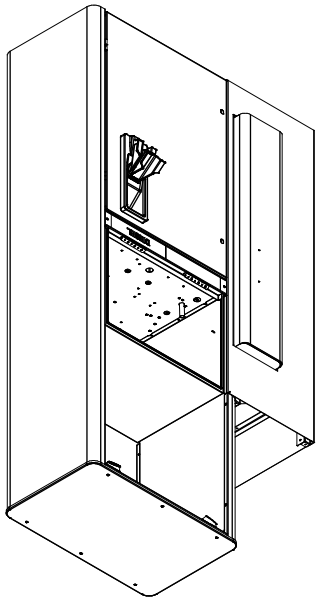
Circles 1 & 2 represent the area open for inlet.
 Circle 1 is primary inlet and has clear path to inlet height of DEF dispenser.
 Circle 2 is below hose reel. There is 13" vertical clearance between base of dispenser and base of hose reel. This may be used if piping is looped from dispenser to dispenser.

图号 DRAWING NUMBER	P3036			
图例	图号 DRAWING NUMBER	图号 DRAWING NUMBER	图号 DRAWING NUMBER	图号 DRAWING NUMBER
A	SMB	A	SMB	A
10/3/13	19656	10/3/13	19656	10/3/13
10/3/13	19656	10/3/13	19656	10/3/13

SECTION H-H
 SCALE 1 / 5
 SHT 3 OF 3
 BPC P/N: 119819

图号 DRAWING NUMBER	P3036			
图例	图号 DRAWING NUMBER	图号 DRAWING NUMBER	图号 DRAWING NUMBER	图号 DRAWING NUMBER
A	SMB	A	SMB	A
10/3/13	19656	10/3/13	19656	10/3/13
10/3/13	19656	10/3/13	19656	10/3/13

LEFT HAND SIDE CAR
 LEFT HAND SIDE CAR
 SCALE 1 / 5
 SHT 3 OF 3
 BPC P/N: 119819



SPRING LAKE MI, 49456
 BENNETT PUMP CO.