

# ADDENDUM A – RNL SATELLITE KIT UPGRADE

## FIELD WIRING INSTRUCTIONS

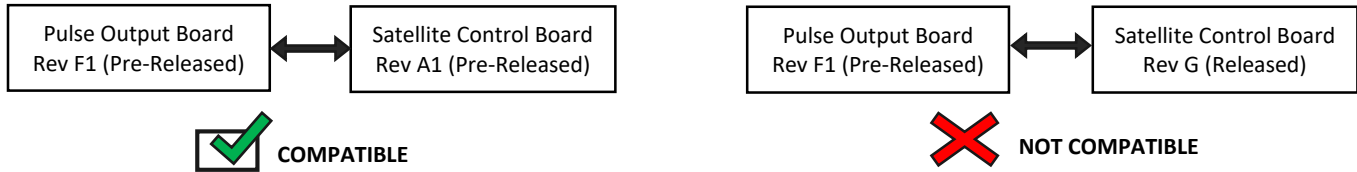
This addendum is for Master to Satellite Configurations for dispenser’s using Pre-Released Boards or Released Boards.

Verify the revision of the boards prior to installation. The satellite and pulse output board will either be a pre-release board or a released board. **Note:** Pre-Released boards will have a “1” following the revision letter. (Example: Rev A1). Release boards will only have revision letter (Example: Rev B).

If you are installing the **Pre-Released Boards** go to the Pre-Release Board section for field wiring instructions. **OR** If you are installing a Released Board go to the Released Board Section. **Note:** A 719 Software Upgrade will be needed when replacing pre-release boards with released boards. Call Bennett Technical Support for the 719 software upgrade instructions at 1-800-423-6638.

<b>Pre-Release Boards</b> <i>(software version 03.03)</i>	<ul style="list-style-type: none"> <li>• Pulse Output Board (131480) <b>Rev F1</b></li> <li>• Satellite Control Board (135146) <b>Rev A1</b></li> </ul>
<b>Released Boards</b> <i>(software version 03.04 and higher)</i>	<ul style="list-style-type: none"> <li>• Pulse Output Board (131480) <b>Rev G</b></li> <li>• Satellite Control Board (135146) <b>Rev B</b></li> </ul>

**Note:** A pre-released board is **not** compatible with a released board and a released board is **not** compatible with a pre-released board. Please refer to the example below.

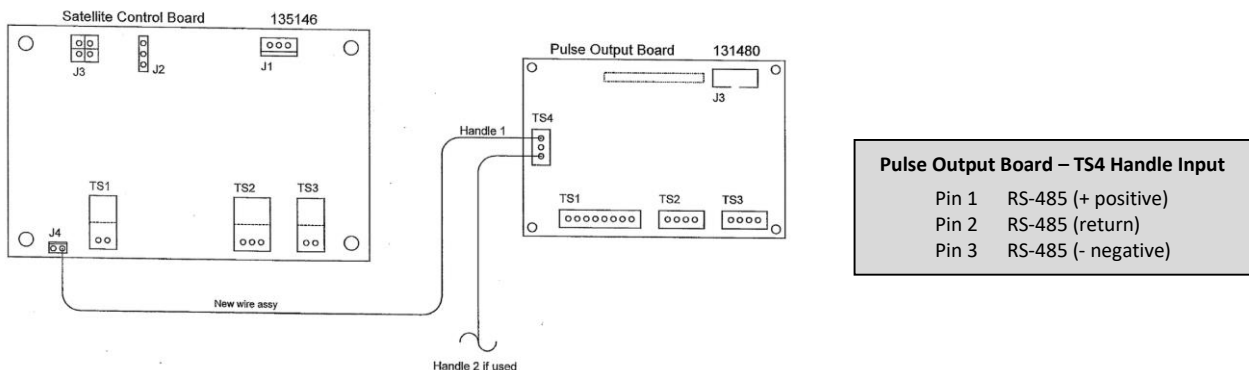


### PRE-RELEASE BOARDS (SOFTWARE VERSION 3.03)

- DANGER: POWER MUST BE OFF TO THE DISPENSER.**
- DANGER: WHEN INSERTING THE PLUGS INTO THE CONNECTORS, MAKE SURE THAT THE LOCKING TAB POINTS TO THE CORRECT SIDE OF THE CONNECTOR. TRY TO REMOVE THE CONNECTOR TO VERIFY THAT THE LOCKING TAB IS ENGAGED. FAILURE TO PLUG THESE IN CORRECTLY MAY DAMAGE THE BOARD**
- IMPORTANT: INSTALLER WILL SUPPLY RIGID METAL CONDUIT FROM THE MASTER TO THE SATELLITE FOR THE FIELD WIRES REQUIRED.**

For Satellite Control Board (135146 Rev A1) and Pulse Output Board (131480 Rev F1) The field wiring shown below is done in the Master dispenser. **Note:** The satellite wiring is described in the standard satellite kit instructions.

1. Connect the wire harness (142708) to the Satellite Control Board (135146 Rev A1) and to the Pulse Output Board (131480 Rev F1).
  - a. Plug the 2-position connector into the **[J4]** connector on the Satellite Control Board.
  - b. Plug the stripped wire into **[TS4]** on the Pulse Output Board. **Note the location of the Handle Inputs.**
    - Handle One - Plug the stripped end of the wire into Pin 1 of **[TS4]**
    - Handle Two – Plug the stripped end of the wire into Pin 3 of **[TS4]**



RELEASED BOARD (SOFTWARE VERSIONS 3.04 AND HIGHER)



**DANGER:** POWER MUST BE OFF TO THE DISPENSER.



**DANGER:** WHEN INSERTING THE PLUGS INTO THE CONNECTORS, MAKE SURE THAT THE LOCKING TAB POINTS TO THE CORRECT SIDE OF THE CONNECTOR. TRY TO REMOVE THE CONNECTOR TO VERIFY THAT THE LOCKING TAB IS ENGAGED. FAILURE TO PLUG THESE IN CORRECTLY MAY DAMAGE THE BOARD



**IMPORTANT:** INSTALLER WILL SUPPLY RIGID METAL CONDUIT FROM THE MASTER TO THE SATELLITE FOR THE FIELD WIRES REQUIRED.

For Satellite Control Board (135146 Rev B) and Pulse Output Board (131480 Rev G) or later The field wiring shown below is done in the Master dispenser. **Note:** The satellite wiring is described in the standard satellite kit instructions.

1. Connect the wire harness (142708) to the Satellite Control Board (135146 Rev B) and to the Pulse Output Board (131480 Rev G).

- a. Plug the 2-position connector into the **[J4]** connector on the Satellite Control Board.
- b. Plug the stripped wire into **[TS4]** on the Pulse Output Board. **Note the location of the Handle Inputs.**
  - Handle One - Plug the stripped end of the wire into Pin 1 of **[TS4]**
  - Handle Two – Plug the stripped end of the wire into Pin 2 of **[TS4]**

Pulse Output Board – TS4 Handle Input	
Pin 1	RS-485 (+ positive)
Pin 2	RS-485 (- negative)

2. If you are replacing a pre-released board with a released board a software upgrade **will be** needed for the 719 CPU. Call Bennett Technical Support for the 719 software upgrade instructions at 1-800-423-6638.

