

DEF 300 / 400 SERIES FOOTPRINTS  
INSTALLATION NOTES:

- A. INSTALLATION MUST BE IN ACCORDANCE WITH NATIONAL ELECTRIC CODE (NFPA 70), THE AUTOMOTIVE AND MARINE SERVICE CODE (NFPA 30A), AND ALL STATE AND LOCAL CODES.
- B. USE ONLY UNDERWRITERS LISTED THREADED RIGID CONDUIT AND LISTED SEALING FITTINGS WITH CONDUCTOR SEALS.
- C. FIELD CONNECTIONS ARE DONE IN THE UPPER ELECTRICAL ENCLOSURE. WIRE MUST EXTEND 72 INCHES ABOVE BASE OF THE DISPENSER TO MAKE ELECTRICAL CONNECTIONS.
- D. SHIMS SHOULD ONLY BE USED UNDER BOLTS TO ENSURE DISPENSER IS LEVEL. IMPROPER SHIMMING THAT RESULTS IN MISALIGNED FRAMES IS **NOT** COVERED UNDER THE BENNETT LIMITED WARRANTY.
- E. ONLY APPROVED FITTINGS AND THREAD SEALANT SHOULD BE USED WHEN CONNECTING THE HYDRAULIC COMPONENTS.
- F. DIMENSIONS IN mm [INCHES]
- G. SOME FEATURES NOT AVAILABLE ON ALL MODELS
- H. HEATER SPECED FOR SIZE OF DEF CABINET ONLY. CABINET IS SEALED FROM ALL SIDES INCLUDING GROUND. PROVISIONS MUST BE MADE SO THAT INLET PIPING ENTERING THE CABINET MAINTAINS A TEMPERATURE ABOVE FREEZING
- I. DIMENSIONS SUBJECT TO CHANGE WITHOUT NOTICE

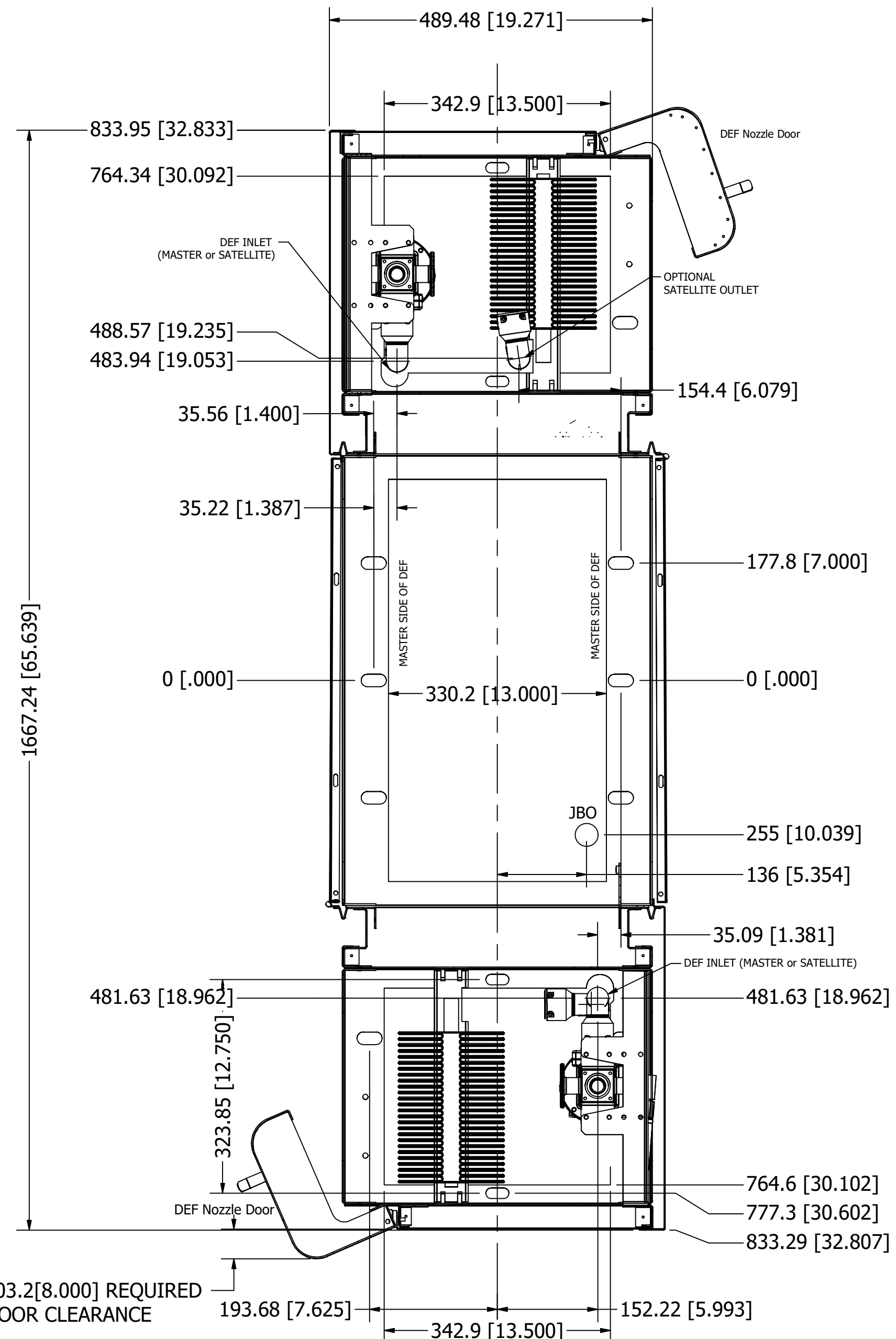
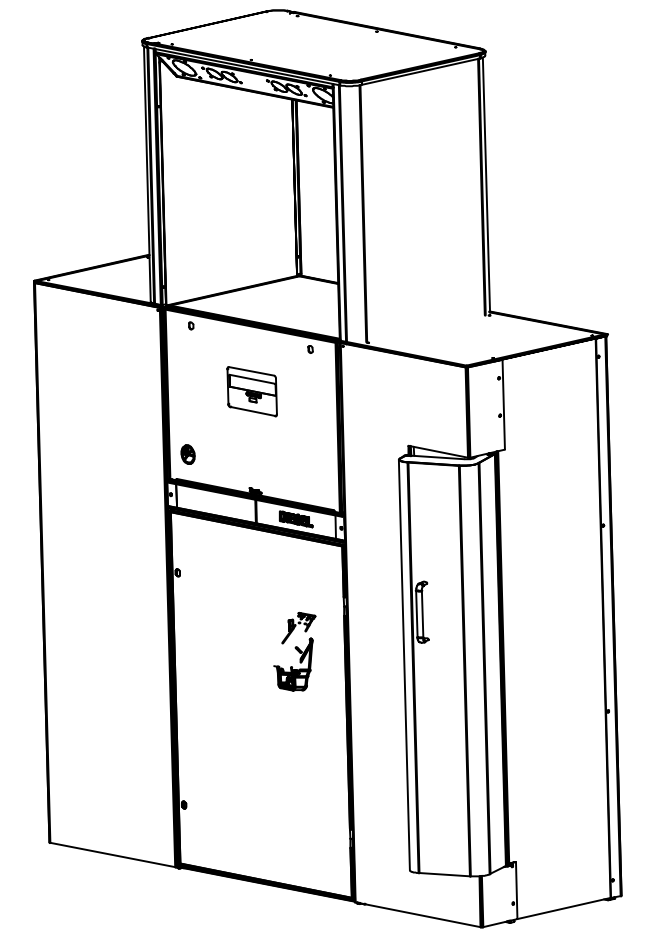
等级 CLASS	图幅 SIZE D	图号 DRAWING NUMBER P3036	产权和保密 此图是美国贝纳特公司的财产。借阅者要在我们要求归还时交回图纸。未经许可不得复制。 PROPRIETARY AND CONFIDENTIAL THIS PRINT IS THE PROPERTY OF BENNETT PUMP CO. AND LOANED SUBJECT TO RETURN ON DEMAND. MAY NOT BE REPRODUCED WITHOUT OUR CONSENT.	不依比例决定 DO NOT SCALE
----------	--------------	----------------------------	--	------------------------

尺寸单位为毫米 [英寸]  
DIMENSIONS IN MILLIMETERS [INCHES]

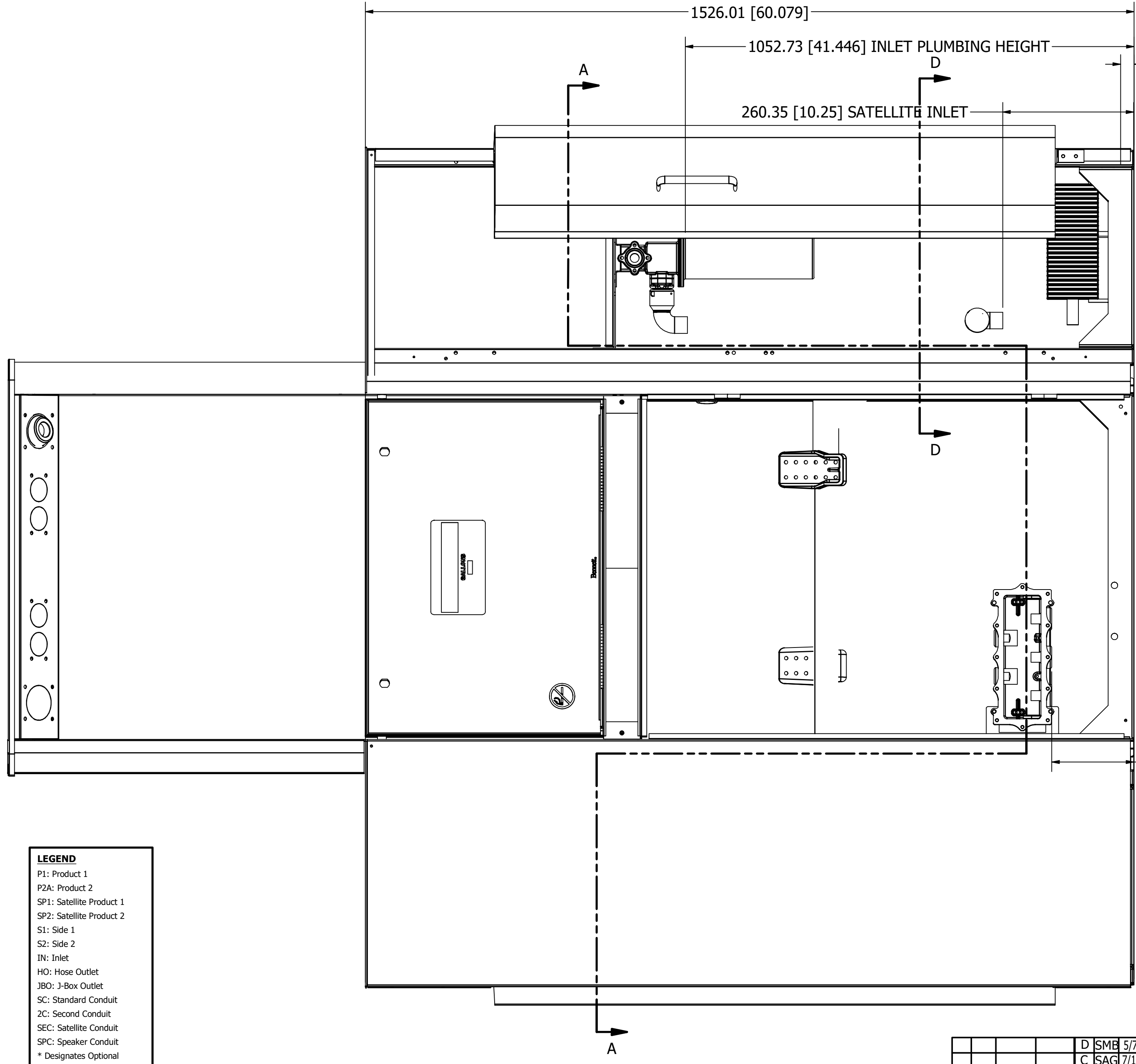
NOTES:  
MASTER INLET PIPE: 1" NPT MALE THREADS  
SAT INLET/OUTLET PIPE: 1" NPT MALE THREADS

ELECTRICAL RATING:  
VOLTAGE: 115 VAC POWER  
CURRENT: 16 AMPS  
ALL ELECTRICAL CONNECTIONS MADE INSIDE THE EXISTING BIG FUELER CABINET. SEE FOOTPRINT FOR BIG FUELER SERIES FOR DIMENSIONS  
\*\* HEATER COIL RATED FOR 115 VAC ONLY. DISPENSER POWER RATED FOR 115 OR 230 VAC

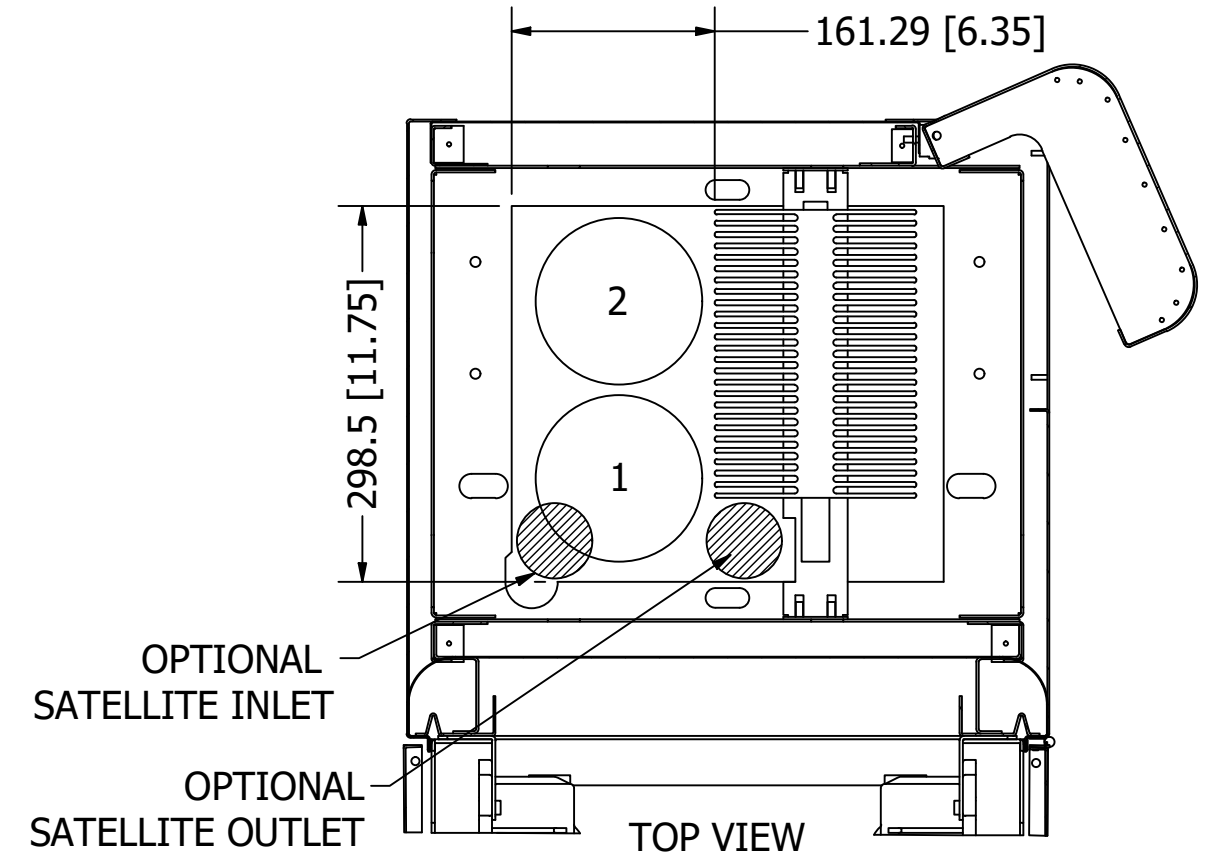
APPLICABLE MODELS:  
320D / 420D  
320G / 420G



TOP VIEW  
SECTION A-A  
SCALE 1 / 6



26.82 [1.056] HEIGHT TO BOTTOM OF HEATER BRACKET



Circles 1 & 2 represent the area open for inlet.  
Circle 1 is primary inlet and has clear path to inlet height of DEF dispenser  
Circle 2 is below hose reel. There is 13" vertical clearance between base of dispenser and base of hose reel. This may be used if piping is looped from dispenser to dispenser

**LEGEND**

- P1: Product 1
- P2A: Product 2
- SP1: Satellite Product 1
- SP2: Satellite Product 2
- S1: Side 1
- S2: Side 2
- IN: Inlet
- HO: Hose Outlet
- JBO: J-Box Outlet
- SC: Standard Conduit
- 2C: Second Conduit
- SEC: Satellite Conduit
- SPC: Speaker Conduit
- \* Designates Optional Feature
- ① Not present on 1 product models

D	SMB	5/7/21	22640	制图 DRWN: S BAR	日期 DATE: 6/15/12	名称 TITLE: FOOTPRINT DUAL DEF RIGHT
C	SAG	7/19/19	22090	批准 APP:	日期 DATE:	300 / 400 SERIES
B	SAL	2/25/16	20946			材料 MATL: N/A
A	SMB	10/3/13	19656			图号 DRAWING NUMBER: P3036
E	SMB	7/30/21	22733	REV. BY	日期 DATE	图号 DRAWING NUMBER: P3036

**BENNETT PUMP CO.**  
SPRING LAKE MI, 49456